



# PÖTTINGER MAGAZINE 2016

Product range for grassland, soil and seed



97+003.EN.0815

**PÖTTINGER**



## Working together for a successful future.

In recent years, PÖTTINGER has proven its incredible reliability and energy by continuing to drive development in agricultural technology. As a traditional Austrian company more than 140 years old, we have been able to greatly extend our international status as a result.

Our motto 'More success with PÖTTINGER' is more than just a promise to our customers; it is also our guiding principle. Our innovations and achievements today, such as global leadership in the loader wagon segment, our international role as a

pioneer in grassland technology and our 40 years of experience and expertise in soil preparation, form the basis for our continued success tomorrow.

As a family-run company we combine these leadership features with personal and dedicated customer care, which many people have come to appreciate as the 'PÖTTINGER spirit'. In combination with the increasing significance of agriculture we see huge potential continuing well into the future for agricultural technology, and thus for PÖTTINGER.



  
Klaus Pöttinger

  
Heinz Pöttinger



# Contents

Company history	4 – 5
<b>Seed &amp; soil</b>	
Ploughs	6 – 9
Stubble cultivators	10 – 15
Compact combinations	16 – 19
Disc harrows	20 – 23
Power harrows	24 – 29
Mechanical seed drills	30 – 33
Pneumatic seed drills	34 – 37
Mulch seed drills	38 – 41
<b>Grassland</b>	
Mowers	42 – 49
Tedders	50 – 55
Rakes	56 – 61
Loader wagons	62 – 75
Forage harvesters	76
DURASTAR	77
Control terminals	78 – 79
Service	80

All information on technical data, dimensions, weights, output, etc. is approximate and is not binding.

# A company based on tradition and progress



**1871**

Development of a **forage cutting machine** and company founded by **Franz Pöttinger** in Grieskirchen.



**1950**

Start series production of hay loaders and rakes.



**1960**

Development of the **PÖTTINGER conveyor hay rake** which revolutionised working on slopes.



**1963**

Ground-breaking new development of **loader wagon technology** – PÖTTINGER becomes the largest loader wagon manufacturer in the world.



**1975**

Acquisition of the **Bavarian Plough Factory** in Landsberg am Lech sees start so steady expansion of the tillage range.



**1986**

Thanks to the **MULTITAST wheel** in front of the rotor, the support triangle on PÖTTINGER rakes is maximised. This guarantees greatly reduced forage contamination.



**1996**

New **painting line** with powder-coating in Grieskirchen.



**1999**

Launch of the **JUMBO** high-performance loader wagon for use over large areas revolutionises silage making technology.



**2001**

Acquisition of **seed drill technology plant in Bernburg, Germany** and founding of PÖTTINGER Sätechnik GmbH.



**2004**

The **TERRASEM mulch drilling concept** combines disc harrow, tyre packer and coulter rail for optimum seed germination and plant growth.



**2006**

**ALPHA MOTION** – the new generation of front-mounted mowers – **machine of the year 2006**.



**2008**

Construction of new **assembly line** in Grieskirchen. Further expansion of **Vodnany plant** in the Czech Republic.



**2008**

**TRACTION CONTROL** applies ballast to the rear axle of the tractor when ploughing with the SERVO 45 S.



**2009**

World first - **AUTOCUT** Fully automatic knife sharpening system for JUMBO and TORRO loader wagons.



**2010**

**SERVO 6.50** semi-mounted ploughs with **TRACTION CONTROL** are added to the soil preparation range.



**2012**

**TOPTECH PLUS** rotor technology boosts the strength and reliability of PÖTTINGER TOP rakes.



**2012**

The **Liftmatic Plus** system on PÖTTINGER tedders keeps forage clean without the tines scraping the ground.



**2012**

**DYNATECH** rotors guarantee a perfect spread pattern with HIT tedders.



**2013**

The brochure **'Best Forage'** demonstrates that forage quality is the key to your success! PÖTTINGER is part of your team for harvesting the best forage.



**2013**

With a working width of 11.20 m, the **NOVACAT S12** becomes the largest mounted mower combination on the market.



**2013**

The latest **AEROSEM** seed drill concept from PÖTTINGER unites the drilling of cereals and precision seeding of maize. **Machine of the Year 2014.**



**2013**

Unique **EUROPROFI POWERCUT** system chops forage perfectly.



**2014**

**DURASTAR** wear parts are engineered from highly resistant top quality materials.



**2014**

**SYNKRO MULTILINE** brings the SYNKRO stubble cultivator together with the VITASEM seed drill to form a trailed mulch drilling combination.

## NONSTOP ploughing

The HEAVY DUTY and intelligent design of PÖTTINGER ploughs ensures optimum distribution of force and strength at the points of the plough beam subject to the highest stress. The unique PÖTTINGER control centre lets you easily adapt the plough perfectly to all types of soil and operating conditions.

# Ploughs



## SERVO mounted ploughs with manual stepped furrow width adjustment

The single-piece plough beam tube manufactured from micro-alloyed fine-grained steel is reinforced on the SERVO series 35 to 45 S by two bolted bars on the inside. The thick walls of the plough tube provide a secure seat for mounting the plough legs and skimmers. A large selection of modern mouldboards is available to match every soil type.



SERVO 25

	Furrows	Inter-body spacing inch / mm	For tractors up to
SERVO 25	2 / 3 / 4	33.5/37.4/40.2 / 850/950/1020	88 kW / 120 hp
SERVO 35	3 / 4 / 5	37.4/40.2 / 950/1020	103 kW / 140 hp
SERVO 35 S	4 / 5 / 6	37.4/40.2 / 950/1020	125 kW / 170 hp
SERVO 45	4 / 5	37.4/40.2 / 950/1020	125 kW / 170 hp
SERVO 45 S	4 / 5 / 6	37.4/40.2 / 950/1020	199 kW / 270 hp

## SERVO PLUS – mounted ploughs with hydraulic furrow width adjustment

We developed the SERVO PLUS models for convenient and efficient ploughing. Our plough is easily adapted to changes in ground conditions and working depth. Front furrow width, pulling point and furrows all adjust automatically at the same time.



SERVO 45 S PLUS

	Furrows	Body spacing inch / mm	For tractors up to
SERVO 35 PLUS	3 / 4	37.4/40.2 / 950/1020	103 kW / 140 hp
SERVO 35 S PLUS	4 / 5	37.4/40.2 / 950/1020	125 kW / 170 hp
SERVO 45 PLUS	3 / 4 / 5	37.4/40.2 42.3 / 950/1020/1150	125 kW / 170 hp
SERVO 45 S PLUS	4 / 5 / 6	37.4/40.2 / 950/1020	199 kW / 270 hp



### SERVO NOVA – mounted ploughs with hydraulic trip legs

An overload protection system with an adjustable triggering force protects the plough against damage. The pressure required to trigger the leg reduces as the leg rises to protect the whole plough. The pressure increases again during re-penetration. Each pair of plough bodies has its own hydraulic accumulator.



SERVO 35 NOVA

	Furrows	Inter-body spacing inch / mm	For tractors up to
SERVO 25 NOVA	2 / 3 / 4	33.5/37.4/40.2 / 850/950/1020	103 kW / 140 hp
SERVO 35 NOVA	3 / 4	34.6/37.4/40.2 / 880/950/1020	103 kW / 140 hp
SERVO 35 S NOVA	4 / 5	34.6/37.4/40.2 / 880/950/1020	125 kW / 170 hp
SERVO 45 NOVA	4 / 5	37.4/40.2 / 950/1020	125 kW / 170 hp
SERVO 45 S NOVA	4 / 5	37.4/40.2 / 950/1020	199 kW / 270 hp

### SERVO PLUS NOVA – the hydraulic multi-talent

Ploughs with hydraulic furrow width adjustment and hydraulic trip leg system offer you maximum reliability and flexibility.



SERVO 45 S PLUS NOVA

	Furrows	Inter-body spacing inch/mm	For tractors up to
SERVO 35 PLUS NOVA	3 / 4	34.6/37.4/40.2 / 880/950/1020	103 kW / 140 hp
SERVO 35 S PLUS NOVA	4 / 5	37.4/40.2 / 950/1020	125 kW / 170 hp
SERVO 45 PLUS NOVA	4 / 5	37.4 / 950	125 kW / 170 hp
SERVO 45 S PLUS NOVA	<b>NEW</b> 4 / 5	37.4/40.2 / 950/1020	199 kW / 270 hp
SERVO 45 S PLUS NOVA	<b>NEW</b> 4 / 5 / 6	37.4/40.2 / 950/1020 not 6 furrow	257 kW / 350 hp



SERVO 35 S PLUS

### SERVO 6.50 – semi-mounted ploughs for high output

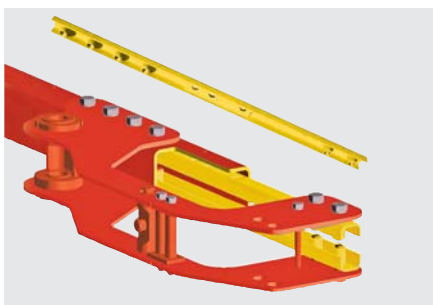
With the SERVO 6.50 PÖTTINGER has combined the advantages of a mounted plough with those of a semi-mounted plough. Our HEAVY DUTY and intelligent design gives you the very highest performance and reliability.



SERVO 6.50

	Furrows	Inter-body spacing inch / mm	For tractors up to
SERVO 6.50	6 / 7 / 8 / 9	40.2 / 1020	265 kW / 360 hp
SERVO 6.50 PLUS	6 / 7 / 8 / 9	40.2 / 1020	265 kW / 360 hp
SERVO 6.50 NOVA	6 / 7 / 8	40.2 / 1020	265 kW / 360 hp
SERVO 6.50 PLUS NOVA	6 / 7 / 8	40.2 / 1020	265 kW / 360 hp

## TECHNOLOGY IN DETAIL



#### High-strength plough beam on mounted versions

- Two bars on the inside to reinforce the plough beam
- Improved strength thanks to compact bolted configuration

#### Improved traction with the SERVO 45 S and 6.50 thanks to TRACTION CONTROL

TRACTION CONTROL (optional) provides defined loading of the tractor rear axle. A cylinder connected to gas accumulators transfers constant weight to the tractor's rear wheels. The pressure can be adjusted from the tractor.





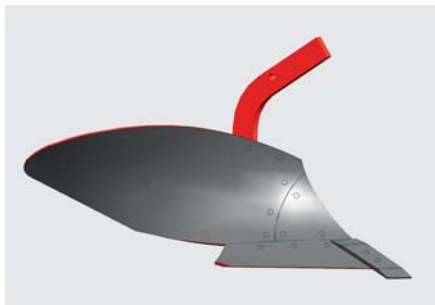


SERVO 6.50



#### **SERVOMATIC control centre**

- The front furrow width and the pulling point are set by separate turnbuckles.
- The function settings of the two turnbuckles do not affect each other – that saves subsequent correction.
- The plough reacts evenly without the need for corrective steering and has a low power requirement.
- The turnbuckles are fitted with anti-twist locks.



#### **DURASTAR mouldboards – hardened through and carbonised**

- Hardened right through: Consistent hardness across the whole cross-section
- Carbonised: The mouldboard core is flexible.
- These mouldboards with their special carbonised layer are characterised by impressive durability thanks to a super-hard 0.09 inch / 2.3 mm-thick surface on both sides of the board and a flexible core. This combination ensures optimum ploughing results in soils with a variable or sticky structure.



#### **Mould boards for a wide range of soil types**

- Slatted mould boards in hardened, fine-grained boron steel
- Four way reversible landside
- Synthetic plough bodies for soils with low stability



#### **NONSTOP trip leg system on SERVO NOVA**

- The trip leg can move either upwards or sideways.
- The trip pressure can be set centrally for all furrows.

### Breathing life into soil

The PÖTTINGER SYNKRO cultivators have been developed to deliver the best in stubble cultivation, and are suitable for both shallow and deep cultivation. During the design phase, special attention was paid to reducing draft and power requirements.

# Stubble cultivator



SYNKRO 3030

### SYNKRO two-gang mounted stubble cultivators

PÖTTINGER SYNKRO cultivators have been developed to deliver the very best stubble cultivation. Our compact two-gang series operates efficiently with a low power requirement. A frame height of 31.49 inch / 800 mm guarantees you trouble-free operation.



SYNKRO 3020

	Working width ft / m	No of tines	Gang spacing inch / mm	Power requirement from
SYNKRO 2520	8.20 / 2.50	6	17.71 / 450	51 kW / 70 hp
SYNKRO 3020	9.84 / 3.00	7	17.71 / 450	66 kW / 90 hp
SYNKRO 4020 K	13.12 / 4.00	9	17.71 / 450	103 kW / 140 hp
SYNKRO 5020 K	16.40 / 5.00	11	17.71 / 450	110 kW / 150 hp
SYNKRO 6020 K	19.68 / 6.00	13	17.71 / 450	129 kW / 175 hp

K = folding

### SYNKRO three-gang mounted stubble cultivators

The versatile SYNKRO three-gang stubble cultivators can be used for both shallow and deep tillage. A central adjustment system allows you to adjust the working depth quickly and easily.



SYNKRO 4030 K

	Working width ft / m	No of tines	Gang spacing inch / mm	Power requirement from
SYNKRO 3030	9.84 / 3.0	11	10.6 / 270	80 kW / 110 hp
SYNKRO 3530	11.48 / 3.5	12	10.6 / 270	96 kW / 130 hp
SYNKRO 4030 K	13.12 / 4.0	14	10.6 / 270	110 kW / 150 hp
SYNKRO 5030 K	16.40 / 5.0	18	10.6 / 270	132 kW / 180 hp

K = folding



### SYNKRO T three-gang trailed stubble cultivators

These trailed models feature a high specification transport chassis, reducing rear axle loading compared to a mounted version. In work the transport wheels are raised clear of the ground. Transferring their weight to aid penetration of the ground even in the hardest of ground conditions.



SYNKRO 5030 T

	Working width ft / m	No of tines	Gang spacing inch / mm	Power requirement from
SYNKRO 4030 T	13.12 / 4.0	14	10.6 / 270	110 kW / 150 hp
SYNKRO 5030 T	16.40 / 5.0	18	10.6 / 270	132 kW / 180 hp
SYNKRO 6030 T	19.68 / 6.0	22	10.6 / 270	155 kW / 210 hp

T = trailed, folding

## TECHNOLOGY IN DETAIL



### Choice of points

- The SYNKRO 1030 series is fitted with a chisel point / wing share combination. The narrow tool spacing of 10.62 inch / 270 mm ensures optimum mixing of harvest residues. The ideal cultivator for mulch drilling.
- For deeper cultivation, you can choose between a narrow point with a quick change system, a double-diamond reversible share or a chisel point.
- Hardened chisel points and armoured wing shares (optional) extend service life.
- The slightly curved shins mix the flow of soil from the side – an intensive rolling movement without flinging soil upwards.
- The outer tines are fitted with edging boards.



SYNKRO 6020



#### Maintenance-free levelling discs or tines

- The scalloped levelling discs level the flow of cultivated soil. They are guided by the rear roller and adjusted together in parallel; they can also be independently depth-adjusted in pairs.
- A six-lip labyrinth seal provides completely dust tight protection for disc hub bearings. As a result the bearing is completely maintenance-free.



#### The highest level of convenience

- The new depth adjustment for the rear roller enables the working depth to be adjusted quickly and easily using a straightforward pin-in-hole system.
- Thanks to the tapered frame the adjustment system is easily accessible.
- You only need to adjust two setting points – even on wide, folding cultivators.



#### NOVA stone protection system

- On the SYNKRO NOVA, spring-mounted tines guarantee NONSTOP cultivation on rocky soil.
- The levelling discs are protected.
- The triggering force of 1212 lbs / 550 kg diminishes as the leg is raised – stones are not pulled up or loosened.
- Two tine positions for reliable ground penetration even in the hardest conditions.
- Additional shear bolt prevents damage.

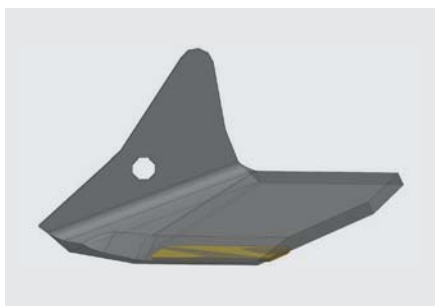


SYNKRO 4030 K



### Rear harrow

- The rear harrow leaves a fine tilth on the bled surface. The ridges created by rear rollers are levelled to prevent ponding.
- Harvest residues are left lightly on the surface to provide ideal germination conditions for weeds and volunteers.



### DURASTAR wing shares

- Coating on the cutting edge of the share
- Double the durability compared to standard share
- Much higher wear resistance thanks to high quality base material
- Coating even withstands stone impact



### DURASTAR points

- Double the durability compared to standard point
- High quality coating on the front side of the point
- High tungsten-carbide content for longer service life
- 0.59 inch / 15 mm material thickness even at the tip to ensure it retains its shape
- Resistant to wear even in stony conditions
- Specially designed points with higher volume in the area subject to most wear



### DURASTAR PLUS points **NEW**

- High quality base material and hardened metal for the points
- Much longer service life and higher resistance to fracture for top reliability
- Up to six times more durable – saving costs and time
- Improved penetration, lower power required thanks to optimised leading edge
- Optimum loosening and mixing through of soil



SYNKRO 3030 MULTILINE

## Expanding the range of applications

### MULTILINE concept

PÖTTINGER's MULTILINE concept creates a true all-rounder for arable professionals. By combining a trailed SYNKRO stubble cultivator with a VITASEM A seed drill, you gain maximum flexibility and cost effectiveness. In addition, the PÖTTINGER seed drill can also be teamed up with a SYNKRO stubble cultivator, LION power harrow or FOX compact combination. Moreover, the SYNKRO MULTILINE can also be used on its own for soil cultivation.

### Your advantages

- Maximum versatility and flexibility
- Cost-effective mulch drilling technology
- Extend the range of applications: Seed drill combination and solo cultivation.
- High output even with small tractors
- Easy to fit and remove the seed drill



### Working cost-effectively

Combining a SYNKRO stubble cultivator with a VITASEM seed drill provides the basis for high-performance and cost-effective mulch drilling technology. At the same time, the PÖTTINGER seed drill can be combined economically and flexibly with the LION and FOX.



### Flexible all-rounder

The VITASEM seed drill can be mounted on the packer quickly and easily. You can therefore use the SYNKRO MULTILINE at any time on its own for stubble cultivation or seedbed preparation. This turns the SYNKRO MULTILINE into a high-performance all-rounder for a wide range of applications.



SYNKRO 3030 MULTILINE

### SYNKRO MULTILINE

The SYNKRO MULTILINE is a trailed machine with drawbar, rubber-packer roller and connections for Cat. II lower linkages. This results in a lower load on the rear axle of the tractor, enabling high output to be achieved even with smaller tractors. At the headlands and during transport, the unit is lifted on the rubber packer roller which is equipped with a centre axle support. This ensures smooth running, high ground clearance, and a low soil compaction at headlands.



#### Re-consolidating the seed slot

The packer ring spacing on the rubber-packer roller of 4.92 inch / 125 mm is precisely matched to PÖTTINGER seed drills with 24 rows. The seed is placed precisely in the re-consolidated slot. In addition, the entire weight of the machine acts on the rear roller, conserving the soil during operation and at the headland. The SYNKRO MULTILINE is especially suitable for producing a perfect tilth in light to medium soils.

	Working width ft / m	No of tines	Packer ring spacing inch / mm	Minimum power requirement
SYNKRO 3030 MULTILINE	9.84 / 3.0	11	4.92 / 125	80 KW / 110 hp
SYNKRO 3030 NOVA MULTILINE	9.84 / 3.0	11	4.92 / 125	80 KW / 110 hp

NOVA = stone protection system

### Intelligent seedbed preparation

Our FOX and FOX D compact combinations deliver smooth-running, fuel-saving seedbed preparation. Combined with a PÖTTINGER seed drill, these cultivators become a cost-effective seed drill combination.

# Compact combinations



### FOX compact combinations with spring tines or discs

The compact design is a trademark of our FOX compact combinations. You can also achieve high working speeds with these drill combinations. The spring tines can be used on light, sandy soils to produce a fine, crumbly tilth. The FOX D disc version is the right choice if organic matter also needs to be incorporated.



FOX 350 D

		Working / Transport width ft / m	Tines / Discs	Tine / Disc spacing inch / mm	Working depth inch / mm	Power requirement from
FOX 300		9.84 / 3.0	19	6.10 / 155	1.18 – 3.14 / 30 – 80	55 kW / 75 hp
FOX 300 D		9.84 / 3.0	22	5.11 / 130	1.18 – 3.14 / 30 – 80	55 kW / 75 hp
FOX 350	<b>NEW</b>	11.84 / 3.5	23	6.10 / 155	1.18 – 3.14 / 30 – 80	66 kW / 90 hp
FOX 350 D	<b>NEW</b>	11.84 / 3.5	26	5.11 / 130	1.18 – 3.14 / 30 – 80	66 kW / 90 hp
FOX 400	<b>NEW</b>	13.12 / 4.0	25	6.10 / 155	1.18 – 3.14 / 30 – 80	66 kW / 100 hp
FOX 400 D	<b>NEW</b>	13.12 / 4.0	30	5.11 / 130	1.18 – 3.14 / 30 – 80	66 kW / 100 hp

D = disc

## TECHNOLOGY IN DETAIL



### Smooth running to save fuel

- During the development of the PÖTTINGER compact combinations, great attention was paid to compact dimensions and low draft operation.
- This lets you use smaller tractors to deliver fuel-saving and efficient seedbed preparation.





#### **FOX spring tines**

- The FOX is equipped with harrow tines configured in two rows for a fine, crumbly seedbed.
- The tines can be positioned in 3 different positions and are particularly suitable for light to medium soils with low levels of crop residues.



#### **FOX D discs**

- With the FOX D the discs take over the preparation of the soil. The discs are mounted on rubber elements that provide a degree of vertical travel and are suitable for slightly stony soil.
- The discs have a diameter of 16.14 inch / 410 mm and are fitted with sealed bearings.



#### **Rapid sowing**

- Combined with a PÖTTINGER seed drill, this implement becomes a cost-effective 3-point-mounted seed drill combination.
- The drill is mounted either on the packer roller or using HYDROLIFT.

#### **Easy to adjust**

- The lugs for the lower linkages can be positioned in three different positions.
- In addition, two different top link positions make it easy to connect up and adapt to any tractor.



FOX 400

## The wider alternative

### FOX 350 / FOX 400

The lightweight mounted machine is ideal for use in light to medium soils with low levels of harvest residues. Thanks to its capability to be combined with a seed drill, the FOX compact combination is a real multi-talent. The result is a cost-effective mulch drilling combination.



#### High output compact combinations

- More productivity with wider working widths
- FOX 350 with 11.84 ft / 3.5 m working width
- FOX 400 with 13.12 ft / 4 m working width

#### Versatile applications

- Solo for mixing harvest residues into the soil
- Combined with a PÖTTINGER seed drill to form a cost-effective seed drill combination.
- Can be combined with VITASEM, VITASEM A and AEROSEM



	Working width ft / m	Transport width ft / m	Tines	Tine spacing inch / mm	Working depth inch / mm	Power requirement from
FOX 350	11.84 / 3.5	11.84 / 3.5	23	6.10 / 155	1.18 – 3.14 / 30 – 80	66 kW / 90 hp
FOX 400	13.12 / 4.0	13.12 / 4.0	25	6.10 / 155	1.18 – 3.14 / 30 – 80	66 kW / 90 hp



FOX 300 D

# Applying and mixing in slurry

## FOX 300 D / 350 D / FOX 400 D

Combined with a slurry application system, the FOX D becomes a real all-rounder. Slurry can be distributed and immediately worked in during a single pass. Effective and efficient work is guaranteed.



### Quick and effective slurry application

- FOX D compact combinations can be equipped with a slurry application kit (Vogelsang)
- Slurry applied and worked in during a single pass
- FOX 300 D, FOX 350 D, FOX 400 D are mounted on the slurry tanker's three-point hitch
- Smooth running and blockage-free operation



### Working in slurry with the FOX D to avoid nitrogen loss

- Simultaneous slurry application and working in saves time and costs
- Worked in within four hours inline with regulations
- Protects soil due to fewer passes
- Significantly lower nutrient losses
- Lower ammonia emissions
- Reduction in aroma

	Working width ft / m	Transport width ft / m	Discs	Disc spacing inch / mm	Working depth inch / mm	Power requirement from
FOX 350 D	311.84 / 3.5	11.84 / 3.5	26	5.11 / 130	1.18 – 3.14 / 30 – 80	66 kW / 90 hp
FOX 400 D	13.12 / 4.0	13.12 / 4.0	30	5.11 / 130	1.18 – 3.14 / 30 – 80	66 kW / 90 hp

D = disc

## Revitalising the soil

The TERRADISC compact disc harrow is designed specifically for stubble cultivation and seedbed preparation. The compact design and aggressive disc angle ensure reliable penetration and excellent mixing in of harvest residues.

# Disc harrows



## TERRADISC rigid compact disc harrows

The short construction is a key feature of PÖTTINGER compact disc harrows. With the TERRADISC, you have a choice of working depths between 1.18 – 4.72 inch / 30 – 120 mm. The offset configuration of the aggressively set discs mixes the harvest residues effectively into the soil, delivering optimum processing of your soil.



TERRADISC 3001

	Working width ft / m	Discs	Disc diameter inch / mm	Power requirement from
TERRADISC 3001	9.84 / 3.0	24	22.83 / 580	70 kW / 95 hp
TERRADISC 3501	11.49 / 3.5	28	22.83 / 580	85 kW / 115 hp
TERRADISC 4001	13.1 / 4.0	32	22.83 / 580	100 kW / 135 hp

## TERRADISC K / T folding / trailed compact disc harrows

TERRADISC K – the mounted, folding compact disc harrow with a working width of 13.12 to 19.69 ft / 4 to 6 metres and increased manoeuvrability. TERRADISC T – trailed models with a dedicated transport chassis. Low axle loads on the tractor and reduced compaction at headlands.



TERRADISC 6001 T

	Working width ft / m	Discs	Disc diameter inch / mm	Power requirement from
TERRADISC 4001 K / T	13.12 / 4.0	32	22.83 / 580	100 kW / 135 hp
TERRADISC 5001 K / T	16.40 / 5.0	40	22.83 / 580	125 kW / 170 hp
TERRADISC 6001 K / T	19.69 / 6.0	48	22.83 / 580	140 kW / 190 hp

K = Mounted folding, T = Trailed folding



## TECHNOLOGY IN DETAIL



### TWIN ARM system

- Carrier arm system with two scalloped discs mounted on a wide clamping bracket
- The discs cannot move to the side
- Hardened tracks are broken up reliably
- Large discs with a diameter of 22.83 inch / 580 mm
- Disc spacing of 4.92 inch / 125 mm
- The aggressive disc angle ensures reliable penetration into the soil

### NONSTOP stone protection

- A rubber fitting is used to mount the clamping brackets to a thick-walled square cross section tube.
- Four rubber elements in the mounting bracket provide overload protection on contact with rocks.

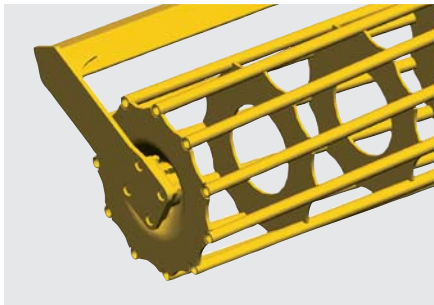


### Hubert Joseph, Cancale, Région Bretagne, France

"I work with the TERRADISC 5001 K with a working width of 16.40 ft / 5 m. I have had obtained very good results with this disc harrow. That's because it is suitable for all soil types and for seedbed preparation. Even large quantities of harvest trash aren't a problem. What I really appreciate is the service and customer proximity provided by PÖTTINGER."

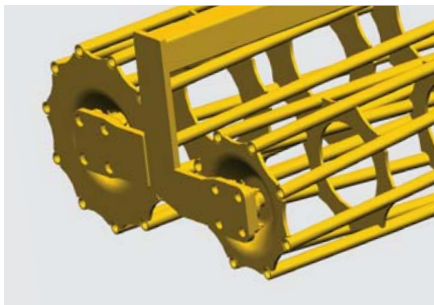


## Rear rollers for SYNKRO and TERRADISC



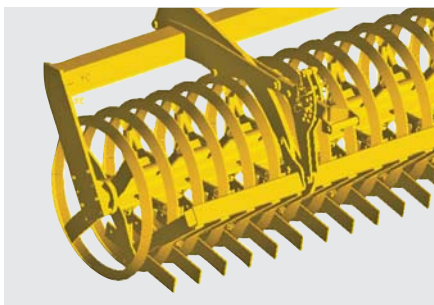
### Cage roller

The cage roller is the ideal rear roller for handling dry, non-sticky soils. The roller is fitted with strong rods for optimal re-consolidation. 21.25 inch / 540 mm diameter with 11 bars, 28.98 inch / 660 mm diameter with 12 bars.



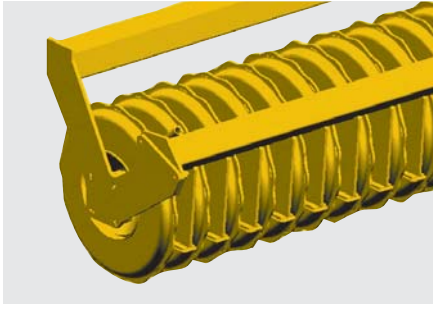
### Double cage roller

The double cage roller is fitted with two different diameter rollers (21.25 inch / 540 mm front and 16.53 inch / 420 mm rear). The pendular function ensures optimum ground tracking and perfect tilth.



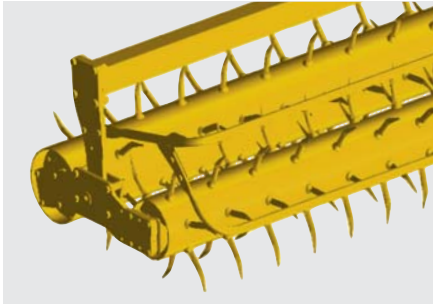
### Knife ring roller

The advantages of the knife ring roller with a diameter of 21.25 inch / 540 mm include enhanced crumbling and re-consolidating by means of wedge-shaped rings. The knives between the rings break up clods and keep the rings clean. Compression in strip has the advantage that water can be absorbed better. The right choice if you are working on dry and heavy soil.



### **Pack ring roller**

The packer rings, which are enclosed, have a diameter of 21.62 inch / 550 mm with eight rings per metre of working width. The roller leaves behind consolidated ridges, promoting drainage and soil respiration. This is the ideal roller on stony, damp ground with large quantities of organic matter.



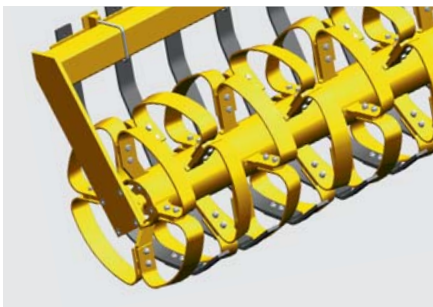
### **Rotopack roller**

Rotopack rollers mix particularly intensively – for light to heavy, non-sticky soils. Harvest residues remain on the surface of the soil and protect your soil against drying out (only up to 9.84 ft / 3.0 m working width).



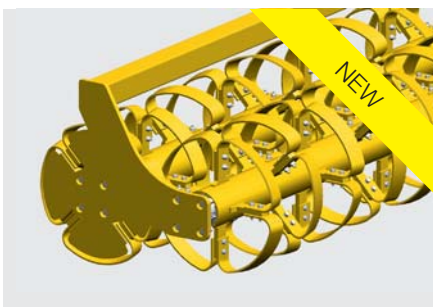
### **Rubber packer roller**

The perfect roller for widely varied soil conditions. Especially for use with trailed implements where the load-bearing capacity of other rollers is near the limit. A diameter of 23.22 inch / 590 mm and the special profiling allows the soil to be compacted in rows.



### **CONOROLL roller**

This roller consists of rings with a diameter of 21.25 inch / 540 mm. Each ring is made up of four conical segments that slant to the left and right. The result is a slot with alternate indentations on either side. When rainwater seeps into these indentations, they prevent it from flowing away. The gap between each ring is 5.9 inch / 150 mm. Spring-mounted scrapers are located in between. These promote the formation of a fine tilth while keeping the space between the rings clean. The load-bearing capacity of the CONOROLL is limited on very light soil. This is an ideal roller for medium to heavy soils. You can also use it in harvest residues no problem.



### **TANDEM CONOROLL roller NEW**

The TANDEM CONOROLL consists of 2 rollers. The diameter of the rings is 22.04 inch / 560 mm. Each ring is made up of four conical segments that slant to the left and right. Erosion caused by rainfall is minimised thanks to the optimum structure created on the soil surface. The loose soil between the rings ensures good drainage. The spacing between the rings is 5.9 inch / 150 mm. Works well on light soil. Ideally suited to trailed machines. The inclination of the roller can be adjusted to allow for the working depth and conditions. This guarantees trouble-free operation in harvest residues and stones.

## Preparing the soil

The best crumbling and excellent mixing of the soil are the key attributes of PÖTTINGER power harrows. Combined with a PÖTTINGER seed drill, this machine becomes a high performance and cost-effective combination delivering perfect drilling results.

# Power harrows



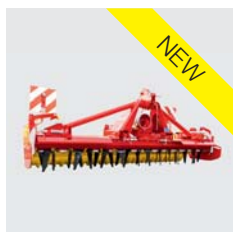
## LION power harrows

The bearing housings are welded into the gear trough before milling at the CNC machining centre. This ensures exact rotor-to-rotor spacing and guarantees you smooth-running and a long service life. Forged components from the PÖTTINGER hardening centre offer many years of reliability. High-strength pivot points, computer-optimised wear parts and hardened steels are the trademarks of our LION power harrows.



LION 303.12 CLASSIC

		Working width ft / m	Rotors	Tine Dimensions inch / mm	Power requirement up to
Power harrows up to 140 hp					
LION 253 CLASSIC	<b>NEW</b>	8.20 / 2.50	8	18 x 13.38 / 340	103 kW / 140 hp
LION 303 CLASSIC	<b>NEW</b>	9.84 / 3.00	10	18 x 13.38 / 340	103 kW / 140 hp
LION 303.12 CLASSIC	<b>NEW</b>	9.84 / 3.00	12	15 x 12.99 / 330	103 kW / 140 hp



LION 353.14

		Working width ft / m	Rotors	Tine Dimensions inch / mm	Power requirement up to
Medium-weight power harrows					
LION 303	<b>NEW</b>	9.84 / 3.00	10	18 x 13.38 / 340	132 kW / 180 hp
LION 303.12	<b>NEW</b>	9.84 / 3.00	12	15 x 12.99 / 330	132 kW / 180 hp
LION 353.14	<b>NEW</b>	11.84 / 3.50	14	15 x 12.99 / 330	147 kW / 200 hp
LION 403	<b>NEW</b>	13.12 / 4.00	14	18 x 13.38 / 340	147 kW / 200 hp



LION 3002

		Working width ft / m	Rotors	Tine Dimensions inch / mm	Power requirement up to
Heavy-weight power harrows					
LION 3002		9.84 / 3.00	10	18 x 13.38 / 340	184 kW / 250 hp
LION 4002		13.12 / 4.00	14	18 x 13.38 / 340	184 kW / 250 hp





LION 6000

	Working width ft / m	Rotors	Tine Dimensions inch / mm	Power requirement up to
Folding power harrows				
LION 5000	16.40 / 5.00	16	18 x 13.38 / 340	199 kW / 270 hp
LION 6000	19.69 / 6.00	20	18 x 13.38 / 340	199 kW / 270 hp

## TECHNOLOGY IN DETAIL



### The rotor driveline

- The gusset plate in the gear trough serves as an additional reinforcement.
- The lower bearing is seated close to the rotor head for reduced stress.
- Large tapered roller bearings are mounted in forged single piece bearing housings.
- Smooth and quiet operation as a result.



### Integrated tine carrier

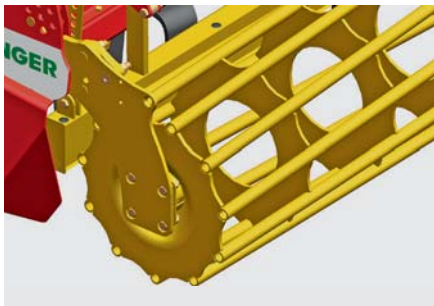
- Harvest residues do not wrap around the tines
- Stones cannot become trapped
- 0.7 inch / 18 mm-thick, tempered tines attached centrally by just two bolts – makes replacement easy
- Quick-change tines (optional)
- Quick change pins and linchpin are protected from soil and from working loose



LION 3002

## Rear rollers for LION

PÖTTINGER offers a wide range of rear rollers for perfect results with the desired tilth in any type of soil. The whole range of rollers features precision manufacturing and robust design engineering.



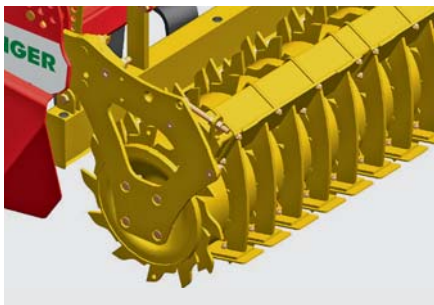
### **Cage roller**

The ideal roller for dealing with dry, non-sticky soils.

The roller is fitted with strong bars for optimal consolidation.

Diameter: 16.5 inch / 420 mm, eight bars

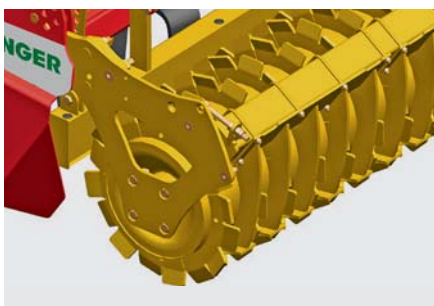
Diameter: 21.3 inch / 540 mm, eleven bars



### **Tooth-packer roller**

This all-rounder is suitable for all types of soil. The roller leaves behind an optimum, re-consolidated seedbed with loose, fine soil at seed level. The scrapers are located just above surface level. This ensures no clods can be lifted away, even in wet conditions ensuring a perfect capillary structure remains intact for optimum germination. The packer teeth are completely hardened and coated scrapers are available as an option.

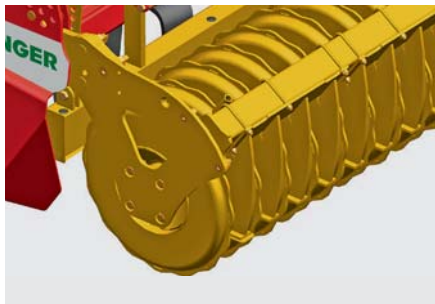
Diameter: 16.5, 19.7 and 21.7 inch / 420, 500 and 550 mm



### **Crumbling packer roller**

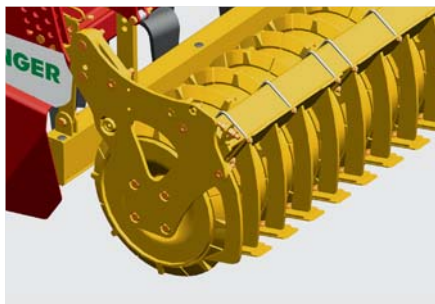
The packer teeth are offset at an angle to the left and right. This roller is especially suitable for heavy, clay soils. The result is a deep consolidation effect with loose crumbling effect just under the surface. Coated scrapers are standard and help prevent soil sticking to the roller.

Diameter: 20.7 inch / 525 mm



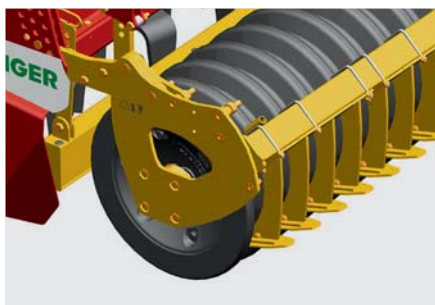
#### **Pack Ring roller**

The packer rings are completely enclosed and have a diameter of 21.7 inch / 550 mm with eight rings per metre of working width. The roller produces a corrugated consolidation effect to promote water absorption and allow the soil to breathe. Ideal for stony, damp conditions and heavy organic residues. Harvest residues remain on the surface of the soil and protect the soil against drying. Coated scrapers are standard and help prevent soil sticking to the roller.



#### **Prism-packer roller**

The Prism rings are spaced at 4.92 inch / 12.5 mm or 5.9 inch / 150 mm. This roller handles all operating conditions, including stony ground and larger quantities of harvest trash. The striped formation of re-consolidation promotes water absorption and breathability of the soil that is subject to less compaction in the gap between the rings. Coated scrapers are standard and help prevent soil sticking to the roller.



#### **Rubber packer roller**

This roller is ideal for widely varying ground conditions. A diameter of 23 inch / 585 mm combined with the special profiling allows the soil to be compacted in rows. Coated scrapers are standard and help prevent soil sticking to the roller.

LION 303.12 CLASSIC



# Power harrows up to 140 hp

## LION 253 CLASSIC / LION 303 CLASSIC / LION 303.12 CLASSIC

PÖTTINGER LION power harrows guarantee extremely smooth running and high strength. These machines operate reliably even in the hardest of conditions and heaviest of soils.



### The gear trough – the heart of the machine

- Thick-walled gear gear trough made of fine-grained steel – extremely resistant to twisting.
- Tapered front edge – soil can flow past unrestricted without bulldozing.
- Large gears feature integrated bearings. Extended inner splines for a secure seat on the rotor shaft.
- The bearing housings are welded to the central gusset and bottom of trough. An exact spacing between each rotor is guaranteed as a result.
- Robust tapered roller bearings in forged, single-piece bearing housings.
- The lower bearings are located as close as possible to the tine carrier.
- The upper and lower bearings are spaced as far apart as possible to reduce load and minimise stress.
- The forged, full-width tine carriers are integrated into casing. This offers the best protection against wrapping because the tines deflect the soil away from the gear trough. As a result stones cannot become trapped between the rotors.

	Working width ft / m	Rotors	Tine Dimensions inch / mm	Power requirement up to
LION 253 CLASSIC	8.20 / 2.50	8	18 x 13.38 / 340	103 kW / 140 hp
LION 303 CLASSIC	9.84 / 3.00	10	18 x 13.38 / 340	103 kW / 140 hp
LION 303.12 CLASSIC	9.84 / 3.00	12	15 x 12.99 / 330	103 kW / 140 hp

NEW

## Middleweight power harrows

### LION 303 / LION 303.12 / LION 353.12 / LION 353.14 / LION 403

PÖTTINGER offers tailor-made systems for every type of soil and every size of operation. No other device is as flexible for ploughed and unploughed fields as the new LION series. Combined with a seed drill these machines offer farmers looking for cost effectiveness an efficient planting solution.



#### DURASTAR power harrow tines – coated and proven in the field

- 60 % longer service life thanks to special coating
- 0.7 inch / 18-mm-thick reversible tines
- 0.59 inch / 15-mm-thick tines for LION 303.12 and LION 353.14
- Excellent retention of shape
- Consistent work quality



#### Levelling board as standard

The rear levelling board is standard and is set automatically with the depth of the rear roller – no readjustment is necessary. Consistent distance from tines over full working depth thanks to linear guides on frame. Initial depth is set using pin-in-hole adjustment – easily accessible at each end of the levelling board.

	Working width ft / m	Rotors	Tine Dimensions inch / mm	Power requirement up to
LION 303	9.84 / 3.00	10	18 x 13.38 / 340	132 kW / 180 hp
LION 303.12	9.84 / 3.00	12	15 x 12.99 / 330	132 kW / 180 hp
LION 353.14	11.84 / 3.50	14	15 x 12.99 / 330	147 kW / 200 hp
LION 403	13.12 / 4.00	14	18 x 13.38 / 340	147 kW / 200 hp

### The best drilling – the best harvest

PÖTTINGER seed drills meet the highest specifications in functionality, reliability and performance. Unique metering systems, uniform seed placement and convenient operation are among their trademarks.



VITASEM 302 ADD

### VITASEM mechanical mounted seed drills

You can use VITASEM mounted seed drills on their own or in a combination with soil preparation implements. The seed hopper is located very close to the headstock. This ensures that the centre of gravity is located well forward, reducing the stress on the tractor hitch.



VITASEM 302

	Working width ft / m	Seed hopper gal / l	No of Rows	Row Distance inch / mm
VITASEM 252 classic	8.20 / 2.50	79 / 360	21	4.68 / 119
VITASEM 252	8.20 / 2.50	106 / 480	21	4.68 / 119
VITASEM 302 classic	9.84 / 3.00	99 / 450	25	4.68 / 119
VITASEM 302	9.84 / 3.00	132 / 220 / 600 / 1000	25 / 21	4.68 / 5.62 / 119 / 143
VITASEM 402	13.12 / 4.00	187 / 308 / 850 / 1400	33 / 27	4.68 / 5.62 / 119 / 143

### VITASEM A mechanical mounted seed drills

VITASEM A drills are quickly and easily fitted to the harrow. In the field the weight of the seed drill acts directly on the rear roller ensuring that the power harrow remains free-moving. A hydraulic cylinder is also available to lift the seed drill up over the tillage implement achieving an ideal centre of gravity in relation to the tractor. The new VITASEM A CLASSIC models are lighter and therefore suitable for 4 cylinder tractors and smaller farms.



VITASEM 302 ADD

	Working width ft / m	Seed hopper gal / l	No of Rows	Row Distance inch / mm
VITASEM 252 A	8.20 / 2.50	106 / 480	20	4.92 / 125
VITASEM 252 A CLASSIC <b>NEW</b>	8.20 / 2.50	79 / 360	20	4.92 / 125
VITASEM 302 A	9.84 / 3.00	132 / 220 / 600 / 1000	24 / 20	14.92 / 5.9 / 125 / 150
VITASEM 302 A CLASSIC <b>NEW</b>	9.84 / 3.00	99 / 450	24	4.92 / 125
VITASEM 302 ADD	9.84 / 3.00	132 / 220 / 600 / 1000	24	4.92 / 125
VITASEM 402 A	13.12 / 4.00	187 / 308 / 850 / 1400	32	4.92 / 125
VITASEM 402 ADD	13.12 / 4.00	187 / 308 / 850 / 1400	32	4.92 / 125

ADD = DUAL DISC

# Mechanical seed drills



## TECHNOLOGY IN DETAIL



### Unique sowing technology on mechanical drills

#### Multi-functional seed wheels

- Multi-drilling system for seed rates between 0.45 and 400 lbs per acre or 0,5 and 450 kg / ha
- Three-row multi-functional metering wheel with staggered peg rows
- Single row small seed metering wheel separated by a slide
- Partition for quick conversion from normal to small seed drilling – no need to reduce speed



### Principle: sowing individual grains

Reverse metering as option: When planting rapeseed, the direction of rotation of the metering shaft is changed by simply switching the gears in the side drive unit. Small indents on the rear of the sowing wheel pegs take only one seed at a time and drop it overhead into the seed funnel.



### Feeding continues down to the last grain

- Funnel-shaped outlets above the metering wheels ensure that the hopper is emptied completely.
- Accurate feed of small seed
- Even distribution even on slopes

### Gears – infinitely variable in oil bath

Smooth infinitely variable oil-immersed gear unit drives the metering wheels. Seed is distributed evenly even when the metering shaft is rotating at a slow speed.



VITASEM 402 A



#### Proven couler disc

- Concave single-disc coulters with a diameter of 12.59 inch / 320 mm are fitted with sealed twin race bearings.
- Unique rotating disc couler scrapers are adjustable and are located to the rear. A large clearance to the side makes them resistant to large clods of soil.
- The disc couler is fitted with a long life hard wearing cast couler point.



#### Ingenious couler system – the best placement guaranteed

Concave disc coulters are the best choice for mulch drilling or when handling large quantities of organic matter. PÖTTINGER's diagonally tracking disc coulters open up the soil. The cast shoe, similar to a Suffolk couler, removes wilted straw and crop residues from the seed placement area and forms a neat seed slot. Uniform seed germination is guaranteed as a result.



#### DUAL DISC double-disc coulters

- VITASEM ADD mounted drills are equipped with DUAL DISC double-disc coulters.
- Each of the disc coulters is guided by a press wheel to ensure uniform seed placement depth – press wheel diameter 12.99 inch / 330 mm.
- The inter couler rail spacing of 11.81 inch / 300 mm guarantees large clearance and smooth material flow even with large amounts of organic matter.



VITASEM 302 A



### Tramline switching for VITASEM and VITASEM A

Tramlines are controlled using the COMPASS control unit. You only need to enter the spraying width and the tramline rhythm will be calculated automatically.

An electric motor shuts off the relevant metering wheels. Up to three metering wheels per tramline can be switched off. Asymmetric tramlines and custom tramline configurations are also possible.



### Electric metering

The VITASEM A seed drill is also available with an electric metering drive as an option. The system is controlled by a speed signal and the POWER CONTROL terminal.

- No land wheel required
- Calibration at the press of a button



### COMPASS CONTROL convenience

- Electronic tramline control
- Calibration aid
- Hectare counter and speed display
- Optional: Function for monitoring metering shaft and 'seed hopper empty' signal

## Revolutionary seed drill technology

The unique AEROSEM seed drill concept from PÖTTINGER unites the drilling of cereals and maize. Precision universal metering and perfect coulter systems guarantee exact depth and placement of the seed.

# Pneumatic seed drills



AEROSEM 3002 ADD

## AEROSEM pneumatic mounted seed drills

Suffolk coulters, single-disc coulters and DUAL DISC double-disc coulters are available for planting cereals. PCS integrates precision seed drilling technology into a pneumatic seed drill, offering another option to dedicated precision seed drills. This means greater flexibility and efficient operation. Awarded two DLG Silver Medals at Agritechnica 2013.



AEROSEM 3002 A

	Working width ft/m	Row Distance inch/mm	Coulter pressure coulter lbs/kg	Power requirement
AEROSEM 3002 A	9.84 / 3	5.90/4.92 / 15 /12.5	up to 55 / 25	81 kW / 110 hp
AEROSEM 3002 ADD	9.84 / 3	5.90/4.92 / 15 /12.5	up to 110 / 50	103 kW / 140 hp
AEROSEM 3502 A <b>NEW</b>	11.48 / 3.5	5.90/4.92 / 15 /12.5	up to 55 / 25	121 kW / 140 hp
AEROSEM 3502 ADD <b>NEW</b>	11.48 / 3.5	5.90/4.92 / 15 /12.5	up to 110 / 50	121 kW / 165 hp
AEROSEM 4002 A	13.12 / 4	5.90/4.92 / 15 /12.5	up to 55 / 25	103 kW / 165 hp
AEROSEM 4002 ADD	13.12 / 4	5.90/4.92 / 15 /12.5	up to 110 / 50	140 kW / 190 hp

ADD = DUAL DISC

## TECHNOLOGY IN DETAIL

### Unique distributor head

The seed is fed uniformly to the distributor head in an air stream that passes up the riser tube. The design of the distributor guarantees exact division of the seed into each of the coulter pipes.

- Mechanical metering drive (standard)
- Electric metering drive and IDS distributor (optional)

### High-capacity seed hopper

- Large hopper capacity of 274 gal / 1250 litres
- Hopper extension for an additional 131 gal / 600 litres capacity (optional)



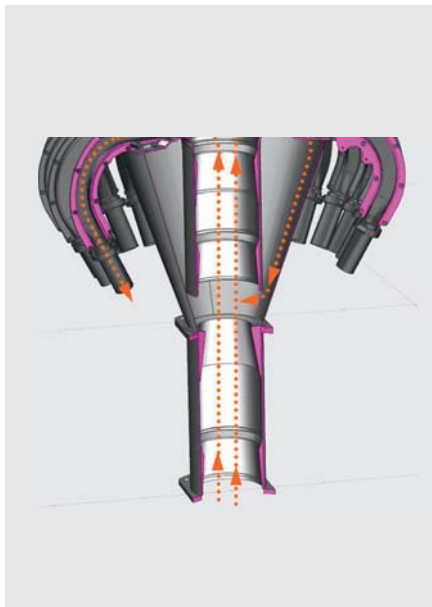


Machine of the year 2014



# IDS

## Intelligent distribution system



### Flexibility that pays dividends

The newly-developed IDS distribution system controls all outlets via the BUS system. This opens up completely new capabilities in seed row and tramline switching. In conjunction with POWER CONTROL or ISOBUS on the tractor and the electric metering drive, there are now no limits to flexible working in the field.

### Choose any of the following:

- Row distance
- Tramline widths
- Track widths
- Special tramline switching
- Dual tramline systems
- Half side switching left and right

### Save 6 % of your seed

IDS controls automatic seed flow reduction in the metering system during tramlining and half side drilling. The excess seed is returned to the riser tube via the returns system.



- Consistent number of seeds in each row
- Uniform crop development
- Up to 6% saving on seed



## PRECISION COMBI SEEDING – individual seed drilling technology

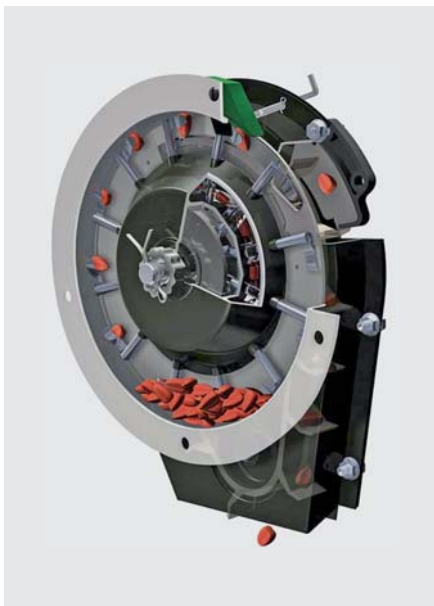


### A seed drill for 4 applications

- Cereals
- Maize
- Maize with fertiliser
- Maize with grass

### Your advantages

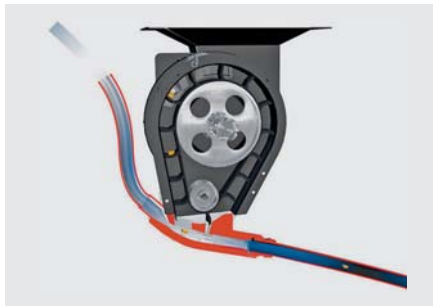
- An expanded range in the range of applications – highly flexible
- Reduction in investment costs by combining a pneumatic seed drill with a precision seed drill
- Multiple uses for the machine combination
- Saves running a separate precision seed drill
- Independence from contractor
- Make the most of the ideal weather and drilling conditions
- Reduction in fixed operating costs per hectare



### Exact seed separation

A number of single-seed precision metering elements are located beneath the manifold. This hydraulically-driven system ensures exact mechanical separation of the seed. The seeds are then transported to the specially-developed injector. The air stream conveys the seed to the coulter.

- Easy adjustment of seeds per square yard / m<sup>2</sup>
- Precise monitoring of seed distribution in the seed slot



### Pneumatic seed transport

An air flap divides the air stream between the standard metering system and the PCS. Under pressure, the air system injector takes the individual seeds from the seed elevator and transports them at precise intervals to the coulters. A seed flow sensor monitors reliable seed delivery and indicates to the driver the accuracy of seed distribution in the seed slot.



### Perfectly placed

The DUAL DISC coulters with its integrated seed slot former ensures a perfect seed slot. A firming roller presses the seed into the slot. A pressure roller controls re-packing and working depth. The seed placement depth can be adjusted centrally.

- No vertical drop
- Exact seed placement
- Seed does not roll along furrow
- Optimum cover
- Uniform germination



### One tank for all jobs

The seed hopper is simply divided for single-seed drilling using PCS and application-specific fertilisation. The partition walls are repositioned quickly and easily using wing-nuts; no tools required.

The tank then offers space for 86 (2 x 43) gal / 400 (2 x 200) litres of seed and 175 gal / 800 litres of fertiliser.

### Efficient drilling

The PÖTTINGER TERRASEM mulch drilling concept combines soil cultivation, re-consolidation and planting in a single machine. The effective compact disc harrow, unique tyre packer and perfect coulters design deliver optimum results.

# Mulch seed drills



TERRASEM C8

### TERRASEM R rigid version

A two-gang disc harrow prepares the soil in which discs are mounted on a heavy-walled box section (SG 50). Four rubber mounts with a 1.57 inch / 40 mm diameter enable the discs to move over stones and foreign bodies. This NONSTOP stone protection is absolutely maintenance free.



TERRASEM R3

	Working width ft / m	Seed hopper gal / l	No of Rows	Row Distance inch / mm
TERRASEM R3	9.84 / 3.00	660/869 / 3000/3950	24	4.92 / 125
TERRASEM R4	13.12 / 4.00	660/869 / 3000/3950	32	4.92 / 125

### TERRASEM C folding version

The three-part design offers the perfect ground adaptation for large working widths. The folding disc harrow, packer and coulters rail sections follow the contours of the ground. A four-section hinge between the coulters rail and packer ensures that the contours of the ground are followed exactly along the direction of travel. Wide press wheels control the double-disc coulters for precision depth placement.



TERRASEM C6

	Working width ft / m	Seed hopper gal / l	No of Rows	Row Distance inch / mm
TERRASEM C4	13.12 / 4.00	660/869 / 3000/3950	32	4.92 / 125
TERRASEM C6	19.69 / 6.00	660/869 / 3000/3950	48	4.92 / 125
TERRASEM C8	26.25 / 8.00	880/1122 / 4000/5100	64	4.92 / 125
TERRASEM C9	29.53 / 9.00	880/1122 / 4000/5100	72	4.92 / 125



### TERRASEM FERTILIZER with direct fertilisation

Using direct fertilisation enables micro and macro nutrients to be deposited at the same time as the seed. This provides you the optimum growth conditions following germination of the seed and helps boost overall yield.



TERRASEM C8  
FERTILIZER

	Working width ft / m	Seed hopper gal / l	No of Rows	Row Distance inch / mm
TERRASEM R3 FERTILIZER	9.84 / 3.00	880 / 4000	24 + 12	4.92 / 125
TERRASEM C4 FERTILIZER	13.12 / 4.00	880 / 4000	32 + 16	4.92 / 125
TERRASEM C6 FERTILIZER	19.69 / 6.00	880 / 4000	48 + 24	4.92 / 125
TERRASEM C8 FERTILIZER	26.25 / 8.00	880 / 4000	64 + 32	4.92 / 125



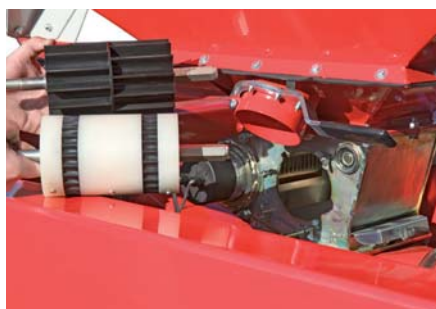
#### Wiesław Gryn, Rogów in Zamojszczyzna, Poland

"For more than 4 years now I've been using the TERRASEM C6 mulch seed drill on my 1680 acres / 680 hectare arable farm. I am particularly pleased with the ground tracking made possible by the three-section frame and the precision of the seed placement. The two-row disc harrow with its large discs delivers perfect results on my heavy soil and large quantities of harvest residues."



TERRASEM C6

## TECHNOLOGY IN DETAIL



### The metering unit – highest precision

- The metering unit is electrically driven and is controlled via radar sensor or ISOBUS signal from the tractor.
- Smooth seed rate adjustment and automatic seed wheel gearing with pre-metering.
- Simple calibration with practical calibration sack; the calibration flap is monitored by a sensor.
- An emptying slide ensures all the seed is emptied out of the hopper.



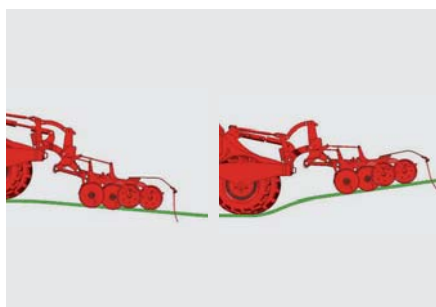
### Combined packer and chassis unit

- The chassis is fitted with wide tyres to re-consolidate the soil, each tyre covering four coulters rows.
- At the headland the weight of the machine is supported by all the wheels to conserve the soil.
- On the road the machine is transported on four wheels, the two wheels in the middle are raised to improve stability.



### Double-disc coulters for a neat seed slot

- Each of the disc coulters is guided by a press wheel to ensure uniform seed placement depth.
- The depth is adjusted centrally with coulter pressure applied hydraulically between 88 and 264 lbs / 40 and 120 kg.
- The maintenance-free rubber mounting elements provide optimum freedom of movement for each unit.



### Contour adaptation

- Precise ground adaptation is achieved by the set pressure on the coulter unit, as the packers follow the contours of the terrain
- Coulter rails with coulter arms of the same length – coulter offset is achieved by mounting either on the front or rear rail – ensure 100% consistent coulter pressure





TERRASEM C8 FERTILIZER

# TERRASEM FERTILIZER mulch drill with direct fertilization

## Partitioned seed hopper

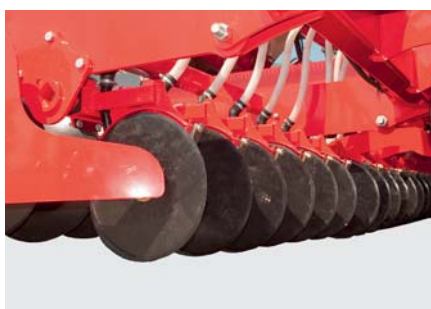
- Two-section seed hopper with moveable partition for seed and fertilizer – Move all this text onto a new line
- Two metering units

## Direct fertilisation

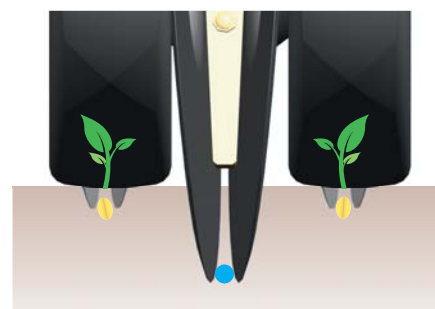
- Seedbed preparation
- Fertiliser is placed in rows between each second row of seed; placement depth up to 3.93 inch / 100 mm
- Variable placement depth
- NONSTOP stone protection on coulters
- All machine controls and monitoring functions integrated into a single terminal
- Metering unit is produced in stainless steel.

## DUAL DISC precision fertiliser coulters

- Flat discs with sealed bearings
- 14.96 inch / 380 mm diameter
- 9.84 inch / 250 mm row spacing
- Coulter pressure up to 176 lbs / 80 kg
- Plenty of clearance to the side
- Unrestricted soil flow
- Easy disc changes



Double disc coulters



Fertiliser placement

**Using direct fertilisation on the TERRASEM FERTILIZER enables micro and macro nutrients to be deposited at the same time as the seed. Optimum growth conditions are created during the germination and helps boost overall yield.**

Fertilizer is applied on TERRASEM FERTILIZER mulch seed drills using DUAL DISC precision coulters. The fertiliser is placed every other seed row between the compact disc harrow and packer. Placement depth can be adjusted independently of seed depth. The surface is then re-consolidated across the whole area by the packer before the seed is planted. The DUAL DISC precision coulters thus place a deposit of fertiliser in a perfect position to nourish the roots as they develop. You save on fertiliser, reduce unproductive losses and boost early plant growth. That puts you well on the way to achieving optimum yield.

## The perfect cut

A precision mowing process is the starting point for high forage quality. Best-possible ground hugging, minimal losses and precision when working without time-consuming operation are what the industry demands. Our range of models ensure first-class cutting quality, smooth operation and stability.

# Mowers

NOVACAT 302

## NOVAALPIN & NOVACAT front-mounted disc mowers

We cover every demand in the field with our wide range of versatile front mowers. Our extremely light NOVAALPIN mowers in three working widths were developed especially for mountain tractors and twin axle mowers. NOVACAT disc mowers can be equipped with two different headstocks, depending on requirements: The NOVACAT CLASSIC is the proven universal mower with a compact design and low weight. With the NOVACAT ALPHA MOTION, we have revolutionised front mower technology. Perfect weight alleviation and optimum ground tracking make the PÖTTINGER ALPHA MOTION unique on the market.



NOVAALPIN 301

	Working width ft / m	Number of discs	Acres / hectares per hour	Weight lbs / kg		Weight with conditioner	
				SF	ED	RC	
Front mowers, extra lightweight construction for twin axle mowers and tractors available with three-point headstock (B) or Weiste triangle (T)							
NOVAALPIN 221 B / T	7.21 / 2.20	5	5.4 / 2.2	925 / 420	–	–	–
NOVAALPIN 261 B / T	8.59 / 2.62	6	6.4 / 2.6	1014 / 460	–	–	–
NOVAALPIN 301 B / T	9.97 / 3.04	7	7.4 / 3.0	1146 / 520	–	–	–

SF = Swath former



NOVACAT 351 CLASSIC

	Working width ft / m	Number of discs	Acres / hectares per hour	Weight lbs / kg		Weight with conditioner	
				SF	ED	RC	
Front-mounted disc mowers							
NOVACAT 261 CLASSIC	8.59 / 2.62	6	6.4 / 2.6	1510 / 685	–	–	–
NOVACAT 301 CLASSIC	9.97 / 3.04	7	7.4 / 3.0	1642 / 745	–	–	–
NOVACAT 351 CLASSIC	11.35 / 3.46	8	8.4 / 3.4	1774 / 805	–	–	–

SF = Swath former



NOVACAT 301 ALPHA MOTION

	Working width ft / m	Number of discs	Acres / hectares per hour	Weight lbs / kg		Weight with conditioner	
				SF	ED	RC	
Front-mounted disc mowers							
NOVACAT 261 ALPHA MOTION	8.59 / 2.62	6	6.4 / 2.6	1884 / 855	2347 / 1065	2480 / 1125	–
NOVACAT 301 ALPHA MOTION	9.97 / 3.04	7	7.4 / 3.0	1995 / 905	2524 / 1145	2700 / 1225	–
NOVACAT 351 ALPHA MOTION	11.35 / 3.46	8	8.4 / 3.4	2171 / 985	2788 / 1265	2832 / 1285	–

SF = swath former, ED = EXTRA DRY conditioner, RC = ROLLER CONDITIONER



### NOVADISC & NOVACAT rear-mounted disc mowers

NOVACAT and NOVADISC rear mowers offer reliability and efficiency during mowing. Our smooth-running NOVADISC mowers with side suspension stand for high output and a clean cut at the lowest power requirement. With our NOVACAT centre pivot-mounted rear mowers, you benefit from excellent ground tracking and weight alleviation. As a result you gain from maximum forage quality with minimal contamination.



NOVADISC 305

	Working width ft / m	Number of discs	Acres / hectares per hour	Weight lbs / kg		Weight with conditioner	
				SF	ED	RC	
Rear disc mowers, heel mounted, without conditioner							
NOVADISC 225	7.21 / 2.20	5	5.4 / 2.2	1344 / 610	–	–	–
NOVADISC 265	8.59 / 2.62	6	6.4 / 2.6	1432 / 650	–	–	–
NOVADISC 305	9.97 / 3.04	7	7.4 / 3.0	1521 / 690	–	–	–
NOVADISC 350	11.35 / 3.46	8	8.4 / 3.4	1620 / 735	–	–	–
NOVADISC 400	12.72 / 3.88	9	9.6 / 3.9	1686 / 765	–	–	–

SF = Swath former



NOVACAT 352 V

	Working width ft / m	Number of discs	Acres / hectares per hour	Weight lbs / kg		Weight with conditioner	
				SF	ED	RC	
Rear disc mowers mounted on a central pivot							
NOVACAT 262	8.59 / 2.62	6	6.40 / 2.60	2006 / 910	2557 / 1160	2733 / 1240	–
NOVACAT 302	9.97 / 3.04	7	7.40 / 3.00	2050 / 930	2733 / 1240	2998 / 1360	–
NOVACAT 352	11.35 / 3.46	8	8.40 / 3.40	2160 / 980	2954 / 1340	3086 / 1400	–
NOVACAT 352 V <b>NEW</b>	11.41 / 3.48	8	8.40 / 3.40	2094 / 950	–	–	–
NOVACAT 402	12.72 / 3.88	9	9.60 / 3.90	2292 / 1040	–	–	–
NOVACAT 442	14.11 / 4.30	10	11.10 / 4.50	2380 / 1080	–	–	–

SF = swath former, ED = EXTRA DRY conditioner, RC = ROLLER CONDITIONER



NOVACAT S12

### NOVADISC & NOVACAT mower combinations

The PÖTTINGER mower combinations are both productive and economical. These mowers can be used as front / rear-mounted combinations or in a reverse drive push configuration. Thanks to the swath merging COLLECTOR, our mower combinations are even more versatile. The high level of user convenience, ingenious details, wide range of applications, strength and first-class cutting quality make these mower combinations among the most productive in their class.



NOVACAT S10

	Working width ft / m	Number of discs	Acres / hectares per hour	Weight lbs / kg		Weight with conditioner	
				SF	ED	ED	RC
NOVADISC 730	23.75 / 7.24	2 x 6	17.30 / 7	2678 / 1215	–	–	–
NOVADISC 810	8.08 / 26.5	2 x 7	22.2 / 9	3086 / 1400	–	–	–
NOVACAT X8	27.2 / 8.3	2 x 7	24.7 / 10	4750 / 2155	5279 / 2395	5434 / 2465	–
NOVACAT X8 COLLECTOR	27.2 / 8.3	2 x 7	24.7 / 10	–	8939 / 4055	9160 / 4155	–
NOVACAT V10	28.7 – 32.7 / 8.8 – 9.9	2 x 8	27.2/29.7 / 11/12	5202 / 2360	7054 / 3200	7231 / 3280	–
NOVACAT S10	29.85/31.23 / 9.1/9.52	2 x 8	27.2/29.7 / 11/12	3968 / 1800	–	–	–
NOVACAT S12	36.7/35.36 / 11.2/10.78	2 x 10	32.1/34.6 / 13/14	4497 / 2040	–	–	–

SF = swath former, ED = EXTRA DRY conditioner, RC = ROLLER CONDITIONER, COLLECTOR = swath merging system

### NOVACAT T trailed mowers

Trailed NOVACAT mowers are ideal for cutting heavy crohp. We achieve perfect three-dimensional ground tracking thanks to the fully-floating mower unit. The optimised spring system ensures the weight of the mower is constantly suspended, protecting your sward perfectly. You can also take delivery of your NOVACAT T with the COLLECTOR swath merger.



NOVACAT 3507 T

	Working width ft / m	Number of discs	Acres / hectares per hour	Weight lbs / kg		Weight with conditioner	
				SF	ED	ED	RC
NOVACAT 307 T	9.97 / 3.04	7	8.90 / 3.60	–	4299 / 1950	4740 / 2150	–
NOVACAT 3007 T	9.97 / 3.04	7	8.90 / 3.60	–	4519 / 2050	4740 / 2150	–
NOVACAT 3507 T	11.35 / 3.46	8	10.38 / 4.20	–	4850 / 2220	5181 / 2350	–
NOVACAT 307 T COLLECTOR	9.97 / 3.04	7	8.90 / 3.60	–	5181 / 2350	5335 / 2420	–
NOVACAT 3007 T COLLECTOR	9.97 / 3.04	7	8.90 / 3.60	–	–	5181 / 2350	–
NOVACAT 3507 T COLLECTOR	11.35 / 3.46	8	10.38 / 4.20	–	5335 / 2420	5555 / 2520	–

SF = swath former, ED = EXTRA DRY conditioner, RC = ROLLER CONDITIONER, COLLECTOR = swath merging system



EUROCAT 311 CLASSIC

### EUROCAT drum mowers

We rely on proven drum mower technology. The major advantage of our drum mowers is their high performance in dense grass crop. You benefit from the boost in crop flow and perfect swath formation.



EUROCAT 311 ALPHA MOTION



EUROCAT 312

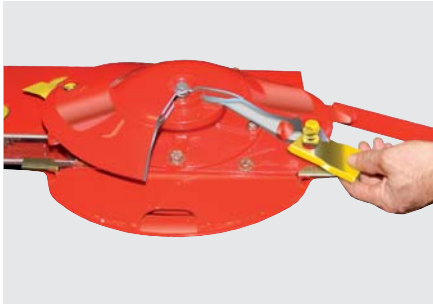
	Working width ft / m	Number of discs	Acres / hectares per hour	Weight lbs / kg SF
EUROCAT 271 CLASSIC	8.85 / 2.70	6.70 / 2.70	1730 / 785	–
EUROCAT 271 PLUS CLASSIC	8.85 / 2.70	6.70 / 2.70	1862 / 845	–
EUROCAT 311 CLASSIC	10.00 / 3.05	7.90 / 3.20	1906 / 865	–
EUROCAT 311 PLUS CLASSIC	10.00 / 3.05	7.90 / 3.20	2039 / 925	–
EUROCAT 311 ALPHA MOTION	10.00 / 3.05	7.90 / 3.20	2259 / 1025	–
EUROCAT 311 PLUS ALPHA MOTION	10.00 / 3.05	7.90 / 3.20	2391 / 1085	3053 / 1385
EUROCAT 272	8.85 / 2.70	6.70 / 2.70	2402 / 1090	2744 / 1245
EUROCAT 312	10.00 / 3.05	7.90 / 3.20	2843 / 1290	–

SF = swath former, ED = EXTRA DRY conditioner

## TECHNOLOGY IN DETAIL

- Supporting frame and guide rods follow every undulation in the ground.
- Large springs ensure uniform movement of the mowing unit with a vertical travel of 19.7 inch / 500 mm.
- Extremely smooth running for best sward protection.
- For tractors between 70 and 360 hp – regardless of model and size of front hitch.





### Quick-change blade system – it's this easy

- Faster and easier changing of blades.
- Blade holders bolted to mower disc for cost effective replacement.
- Standard on all PÖTTINGER mowers.



### Efficient weight alleviation for NOVACAT rear mowers

- Centre pivot mounting – weight alleviation across entire mowing width.
- Floating cut thanks to hydraulic weight alleviation.



### ED EXTRA DRY tine conditioner

- Wide-spread or swath formation possible.
- Flexible adjustment of conditioning intensity.
- Increase in forage energy.

### RC roller conditioner – careful and effective

- The rollers inter-mesh to uniformly squash the stalks and produce a uniform blanket of forage.
- Both rollers are driven



### TRI DRIVE – Optimised gears **NEW**

- New gear pairs with the same diameter 39 / 50
- Three teeth in contact – better power transmission – softer starting characteristics
- New surface on gears ensures smoother running and a reduction in noise level



### High-cut skids **NEW**

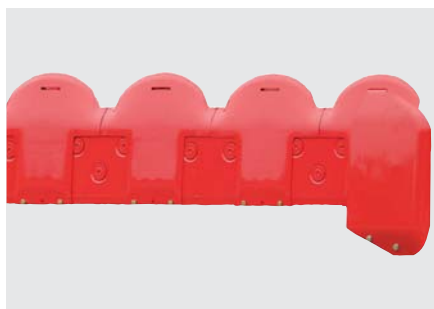
- High-cut skids + 1.57 inch / 40 mm
- NEW: Inner and outer high cut skid + 1.57 inch / 40 mm
- NEW: Inner and outer high cut skid + 0.78 inch / 20 mm

# Cutter bar



## Quality made in Austria

First-class cutting quality, low drag resistance and high strength are the trademarks of PÖTTINGER disc mowers. The NOVACAT cutter bar is a major factor for obtaining high quality forage. These have been designed and manufactured exclusively in Austria.



Smooth underside with rounded skids

## Optimum crop flow – clean forage

The tapered leading edge of the cutter bar allows the soil to flow beneath, separating it cleanly from the crop. The contoured shape of the conical mower discs increases the effect of the paddles on crop flow, lowering the drag resistance of the mower.

## Perfect cutting quality

The mower blades rotate very close to the surface of the cutter bar and the counter knife. The optimised overlap of blade paths ensures a clean and uniform mowing pattern.

## Highest quality – long service life

The cutter bar is made from the best quality steel. The metal plate is laser-cut and robot-welded with 100% accuracy before precision machining at the state-of-the-art CNC machining centre.

Heavy-duty, twin race tapered bearings guarantee the best absorption of impacts. All gears are hardened and machined. A gear face width of 0.78 inch / 20 mm and a double-sided engagement of the teeth ensure smooth operation and a long service life.





NOVACAT 352 V

## For the perfect cut

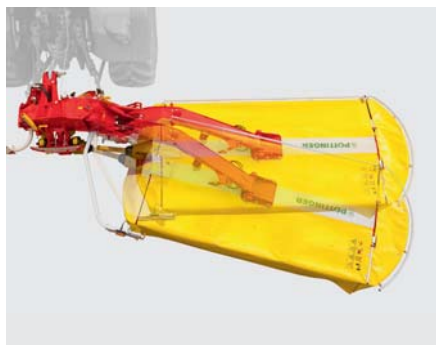
### **NOVACAT 352 V rear disc mower**

The NOVACAT 352 V joins our modern range of rear-mounted disc mowers. This smooth running high performance disc mower features easy mounting, perfect ground tracking and the PÖTTINGER cutter bar proven thousands of times in the field. The mower unit is transported and parked in the vertical position (vertical parking position optional).



#### **Ultimate ground tracking**

The centre pivot mounting on NOVACAT cutter bars provides a travel of  $+ / - 22^\circ$  for perfect ground tracking. At the same time, infinitely adjustable hydraulic weight alleviation ensures optimum ground contact pressure across the entire mowing width.



#### **Collision safety device protects against damage**

The mechanical collision safety system provides a swing arc of approx.  $12^\circ$ . Damage to the mower is thus avoided in the event of a collision. After it has been triggered, simply reverse a short distance to engage the cutter bar again.



NEW

NOVACAT 352 V



**Convenient and straightforward**

The guards fold away to provide optimum access to the cutter bar. This makes it possible to clean the machine thoroughly and change blades quickly and easily.

**For your safety**

The guard curtains are made from especially tough material to reliably catch stones and soil.



**Transport and parking**

The cutter bar is raised using double-acting spool valves. The mower pivots through 115°. The centre of gravity is on the tractor's centreline and the driver has a clear view to the rear in both side mirrors. The vertical parking position is available as an option.

	Working width ft / m	Number of discs	Swath widths ft / m	Hectares per hour	Weight lbs / kg	Minimum power requirement
NOVACAT 352 V	11.41 / 3.48	8	8.2 / 2.5	8.40 / 3.40	2094 / 950	59 kW / 80 hp

**Strength and the best  
tedding quality**

Our proven rotary tedders deliver perfect ground tracking. Tedding crops carefully without contamination entering the forage is the result. The wide wheels together with the optional MULTITAST jockey wheel on the headstock greatly improve performance on slopes. High manufacturing quality guarantees a long service life.

# Tedders



HIT 4.54 / HIT 6.61

**ALPINHIT four- and six-rotor tedders**

Lightweight design and perfect ground tracking were the primary focus in the development of our ALPINHIT tedders. These two characteristics guarantee you'll be working efficiently, especially in the mountains. With the ALPINHIT series, PÖTTINGER offers two tedders in this segment.



ALPINHIT 6.6

	Working width DIN ft / m	Rotors	Arms per rotor	Weight lbs / kg	
				H	N
ALPINHIT 4.4 H / N	13.12 / 4.00	4	5	628 / 285	727 / 330
ALPINHIT 6.6	18.86 / 5.75	6	5	–	925 / 420

H = rigid mounting, N = pivoting headstock

**HIT four-rotor tedders**

The highest requirements of small to medium-sized farms are met in full by our 4-rotor tedders. Designed for all forage types, these machines provide you with optimum distribution quality and perfect crop take-up.



HIT 4.47

	Working width DIN ft / m	Rotors	Arms per rotor	Weight lbs / kg
HIT 4.47	14.43 / 4.40	4	6	1157 / 525
HIT 4.54	17.06 / 5.20	4	6	1212 / 550
HIT 4.54 T	17.06 / 5.20	4	6	1102 / 500

T = trailed

**HIT six-rotor tedders**

The tedder series with six rotors is for farmers who value high specifications and ease of use. These six-rotor machines provide excellent ground tracking, the best crop take-up and a uniform distribution pattern.



HIT 6.80 T

	Working width DIN ft / m	Rotors	Arms per rotor	Weight lbs / kg
HIT 6.61	18.86 / 5.75	6	5	1730 / 785
HIT 6.69	21.16 / 6.45	6	6	1884 / 855
HIT 6.80	24.44 / 7.45	6	6	2072 / 940
HIT 6.80 T <b>NEW</b>	25.75 / 7.85	6	6	2292 / 1040

T = trailed

### HIT eight-rotor tedders

We meet the highest specifications in the professional sector with these eight-rotor machines. You will be impressed by how convenient they are to operate. The new DYNATECH rotors guarantee even better working quality with the best forage protection.



HIT 8.81

	Working width DIN ft / m	Rotors	Arms per rotor	Weight lbs / kg
HIT 8.81	25.26 / 7.70	8	5	2402 / 1090
HIT 8.91	28.21 / 8.60	8	6	2755 / 1250
HIT 8.91 T	28.21 / 8.60	8	6	3328 / 1510

T = trailed

### HIT T trailed tedders

With these trailed HIT T tedders, PÖTTINGER combines high output with intelligent technology. Both of our models feature refined lifting geometry. This means you can raise the tedder into the headland position quickly and easily.

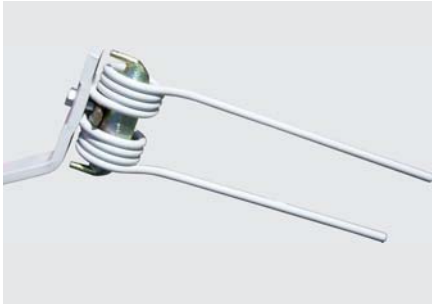


HIT 10.11 T

	Working width DIN ft / m	Rotors	Arms per rotor	Weight lbs / kg
HIT 10.11 T	34.78 / 10.60	10	6	4618 / 2095
HIT 12.14 T	41.67 / 12.70	12	6	5235 / 2375

T = trailed

# TECHNOLOGY IN DETAIL



## HEAVY DUTY tine security system

- The arched mounting for the tines provides support during operation and makes the tines more robust.
- The durability of the tines is increased significantly.
- The integral protection against tine loss reduces the risk of broken parts becoming caught up in the harvesting chain.



## MULTITAST wheel for perfect ground tracking

- A jockey wheel on the headstock ensures exact working height and best ground tracking.
- Output and operating speed can be increased considerably as a result.
- No tools are required to adjust the jockey wheel.



## Rotor pitch adjustment

- The rotor angle can be adjusted without using any tools.
- The rotors can be set to match the forage conditions quickly and easily.
- A uniform and tidy spread pattern is ensured as a result.

## Stabiliser struts

- Double-acting struts for best centre alignment



## Jakub Stojan (Ing.) from AGRAS Želatovice Ltd., Czech Republic.

"We are impressed with the high performance of the 10.11 T tedder. It does an excellent job by distributing the crop in a uniform airy blanket. The machine follows the terrain well, which we really appreciate because the conditions here are difficult. What is more, the crop is handled with the maximum of care", says Jakub Stojan.



HIT 8.81

## New DYNATECH rotor technology

### Curved shape of the tine arms

- Sweeping tine guidance
- Less stress on the bearings
- Tines sweep more softly to protect crop
- Arms remain free of crop
- No wrapping around rotor

**High performance from our new tedders goes without saying, because they are engineered for tough, high endurance jobs. It was for this reason that we completely redesigned the rotors.**

The sturdy tine arm mountings withstand the highest stresses. The rotor dishes are made of thick-walled pressed components with precise placement for the tine arms. The tine arms are also bolted directly to the rotor hubs to ensure an extremely secure mounting. The tine arms cannot work loose, so cannot twist as a result. Totally uniform crop take-up is ensured by the precise tine interval. That is the prerequisite for an optimum spread pattern.

### The curved shape of the tine arms is unique.

The trailed tine arrangement reduces the load on the rotors and simultaneously allows the sweeping tines to work with less pressure and thus protect the forage. The curved shape of the rotor arms prevents forage from building up on the tine arms and wrapping around the rotors. Perfect spreading quality and clean forage is ensured.





HIT 6.80 T

## Productivity for the best forage

### HIT 6.80 T tedder

PÖTTINGER rounds off its latest generation of tedders with the new six-rotor HIT 6.80 T. These tedders feature very high productivity and reliability as well as perfect ground tracking. A smooth running 6-rotor tedder for versatile applications with small tractors. The unique DYNATECH rotors deliver perfect distribution and best forage quality.



### Best spreading and forage quality

The DYNATECH rotors are mounted on a bolted frame. Sealed joints transfer the drive power to the rotor transmission backlash-free and guarantees smooth running. The curved shape of the rotor arms prevents forage from building up on the tine arms and wrapping around the rotors. Perfect spreading quality and clean forage is ensured.



### Trailed machine

The HIT 6.80 T is equipped with an additional chassis that runs behind the machine during operation in the field.

HYDROLIFT is fitted as standard. The outer pair of rotors are raised to the limit stops during turning, while the transport chassis lifts the tedder clear of the ground.



HIT 6.80 T

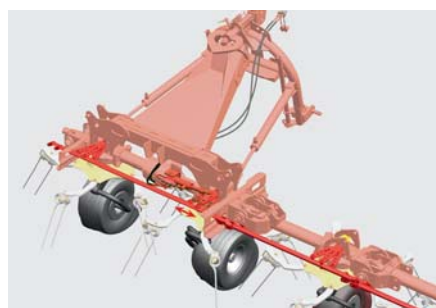


**Fenceline tedding**

All wheels are pivoted for fenceline tedding. This is performed simultaneously on all six rotors using a central hydraulic adjustment which is available as an option.

**Straightforward operation**

Our six-rotor tedders are easy to operate hydraulically, which is available as an option. Five different rotor angles can be set – no tools required.



	<b>Working width ft / m</b>	<b>Number of rotors</b>	<b>Arms per rotor</b>	<b>Weight lbs / kg</b>	<b>Minimum power requirement</b>
HIT 6.80 T	24.44 / 7.85	6	6	2292 / 1040	29 kW / 40 hp

**TOP performance –  
TOP forage quality**

Smooth-running PÖTTINGER rakes with perfect ground tracking and extreme manoeuvrability meet the high specifications of the industry. Rakes with the lowest disintegration loss and minimal soil accumulation guarantee energy-rich forage and economical use of base forage.

# Rotary swather



**TOP single-rotor rakes**

Our single-rotor machines are ideal choice for smaller fields. For big raking power with smaller tractors, the TOP 421 TOPTECH PLUS and 461 TOPTECH PLUS are also available as trailed machines.



TOP 382

	Working width ft / m	Tine arms	Dual Tines per arm	Weight lbs / kg
ALPINTOP 300 U	9.84 / 3.0	8	3	617 / 280
TOP 342	11.15 / 3.40	10	4	1135 / 515
TOP 382	12.46 / 3.80	11	4	1179 / 535
TOP 422	13.77 / 4.20	12	4	1609 / 730
TOP 462	15.09 / 4.60	12	4	1686 / 765
TOP 421 TOPTECH PLUS	13.77 / 4.20	12	4	1653 / 750
TOP 461 TOPTECH PLUS	15.09 / 4.60	12	4	1844 / 855

U = front- / rear-mounted

**TOP twin rotor side-swath rakes**

Our rakes with side swath placement can easily be adapted to different crop conditions and harvesting technology. We achieve the perfect ground tracking delivered by PÖTTINGER rakes thanks to the optimised setup and independent movement of the rotors.



TOP 662

	Working width ft / m	Tine arms	Dual tines per arm	Swath formation	Weight lbs / kg
TOP 662	21.48 – 23.95 / 6.55 – 7.30	2 x 12	4	right	4387 / 1990
TOP 722	22.30 – 24.93 / 6.80 – 7.60	2 x 13	4	right	5489 / 2490
TOP 812	24.93 / 7.60	2 x 13	4	right	6194 / 2810
TOP 611 TOPTECH PLUS	11.15 – 20.34 / 3.40 – 6.20	2 x 12	4	left	3725 / 1690
TOP 691 TOPTECH PLUS	13.77 – 22.63 / 4.20 – 6.90	2 x 12	4	left	3813 / 1730





### TOP C twin rotor centre-swath rakes

The advantage of our centre-swath rakes is their uniform and airy swath placement. Our centre-swath rakes guarantee a perfectly matched swath for the next machine in the harvest chain.



TOP 842 C

		Working width ft / m	Tine arms	Dual Tines per arm	Weight lbs / kg
TOP 612	<b>NEW</b>	19.35 / 5.90	2 x 11	3	2226 / 1010
TOP 612 C		19.35 / 5.90	2 x 11	3	3240 / 1470
TOP 702 C		20.50 – 22.63 / 6.25 – 6.90	2 x 11	4	3703 / 1680
TOP 762 C CLASSIC		22.43 / 6.85	2 x 11	4	3968 / 1800
TOP 762 C		22.43 / 6.85	2 x 13	4	4276 / 1940
TOP 842 C	<b>NEW</b>	25.26 – 27.55 / 7.70 – 8.40	2 x 13	4	5687 / 2580

### TOP C S-LINE four-rotor rake

Short harvesting windows necessitate high performance harvesting technology. With the professional TOP C S-LINE model we offer you powerful centre-swath rakes with the highest possible output.

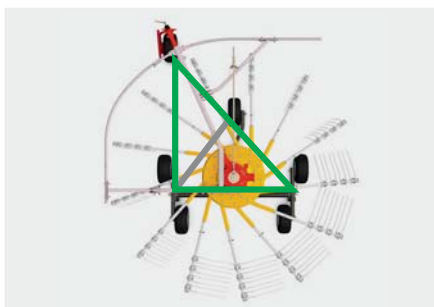


1252 TOP C S-LINE

	Working width ft / m	Rotor	Tine arms	Dual tines per arm	Weight lbs / kg
TOP 1252 C S-LINE	26.25 – 41.01 / 8.00 – 12.50	4	4 x 13	4	13921 / 6315



TOP 422

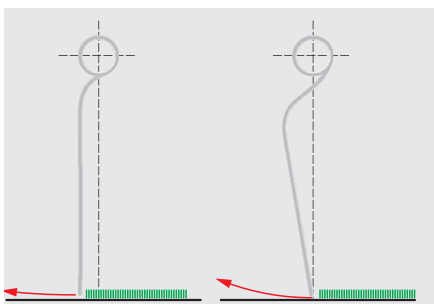


### MULTITAST wheel – the ultimate ground tracking

- The MULTITAST wheel makes the support triangle much larger. This makes the rotors run more smoothly and suppresses vibrations
- 25 % less raw ash / contamination in the forage as a result

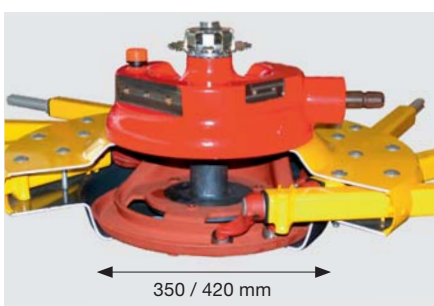
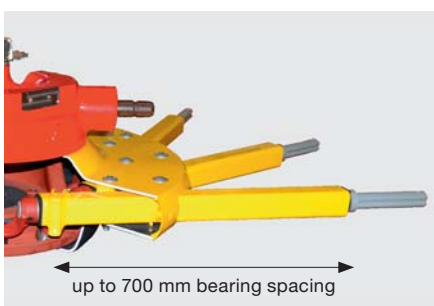
### Tines with millimetre precision

- Straight tines without a large offset
- Ground tracking under the tine arm – no lifting from ground on meeting resistance
- Tines are lifted gently out of the swath



### TOPTECH PLUS rotors

- Precision components combined with durable materials for a long service life.
- This repeated further down.
- Cam track diameter 13.77 / 16.54 inch / 350 / 420 mm.
- Wide bearing spacing on the tine arms for the highest stability with minimum stress on the arm bearings.
- The cam track can be adjusted to different forage volumes and changing harvesting conditions.
- The entire rotor unit is encapsulated and dust-tight.
- Maintenance-free and high durability steel cam rollers.
- The rotor gearbox is encapsulated and runs in a sealed grease bath.
- If damaged, tine arm assemblies can be replaced quickly and easily by removing just two bolts.



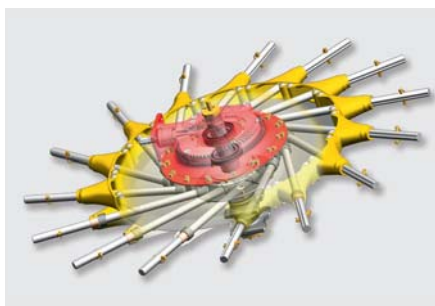


TOP 382



**Tandem chassis**

- Wide wheel spacing for the best performance on slopes
- Driving speeds in excess of 9.32 mph / 15 km / h possible
- Rotor pitch is adjustable



**DURATEC rotors – high strength for TOP S-LINE**

- The cam track and control mechanism is encapsulated dust-tight without the need for oil. As a result no oil checks or oil changes are required.
- The cam track is produced from high quality globular cast iron and has a large diameter for smooth and precise cam roller guidance.
- Large diameter cam track.
- The steel cam rollers are fitted with sealed bearings for a long service life.
- Large diameter control shafts for extra durability. A wide gap of 20 inch / 510 mm between the tine arm bearings guarantees high strength.



**Antero Ristimäki, Ylihärmä FINLAND**

"I have 600 beef cattle on my farm in Ylihärmä. In 2014 I bought my first PÖTTINGER machine: the NOVACAT S12 mower combination. I am very satisfied with it. After visiting the plant in Grieskirchen, I was convinced that PÖTTINGER was my favourite agricultural machinery manufacturer. That is why I decided to go for the TOP 1252 C four-rotor rake. Every time I use it, I rediscover the advantages of the MULTITAST wheel! Clean forage really is essential for healthy, high-yield animals."



TOP 612 C

# Perfect raking

## TOP 612

Centre-swath rakes are well-known for a uniform and airy swath formation. It is important that the rake makes an ideal swath for the machine that will pick it up: it has to have consistent width, shape and distribution of harvest material. Working with precision increases the harvesting performance.



### Mounted machine with pivoting headstock

The TOP 612 has a working width of 19.35 ft / 5.90 m. Its mounted configuration makes it ideal for areas where access can be restricted. The rotors are lifted hydraulically when turning at the headland. Equipped with stabiliser struts for steep ground the rake keeps on track. Tandem rotor axles are available as an option. A large range of movement of the rotors in operation ensures they follow the ground precisely.

For transport the rotors are folded to the vertical position. Tine arms can be removed to reduce overall transport height.



### Space-saving storage

The TOP 612 is stored in the transport position so it takes up very little space.

The rake can be manoeuvred on its own parking wheels.

	Working width ft / m	Tine arms per rotor	Weight lbs / kg	Minimum power requirement
TOP 612	19.35 / 5.90	2 x 11	2226 / 1010	60 hp

NEW



TOP 842 C

### TOP 842 C

With the TOP 842 C we extend our twin rotor centre swath rakes into the professional sector. Thanks to the steering system this model is extremely manoeuvrable. The TOPTECH PLUS rotor delivers the best raking quality and the lowest levels of forage contamination.



#### Compact during transport

- The rotors are raised hydraulically.
- A control valve limits lifting height at headland
- Transport interlock engages automatically.



#### Transport height under 4 m

The rotors are lowered vertically after folding for transport. This achieves a transport height below 13.12 ft / 4.0 m with 11.81 inch / 300 mm of ground clearance.

The rotors have a diameter of 12.13 ft / 3.7 m and are fitted with 13 arms. This means you can drive to the next field without having to remove the tine arms or leave the tractor cab. Warning signs and road lights are standard.

	Working width ft / m	Tine arms per rotor	Weight lbs / kg	Minimum power requirement
TOP 842 C	25.26 – 27.55 / 7.70 – 8.40	2 x 13	5687 / 2580	70 hp

## The number 1 worldwide

Our PÖTTINGER loader wagons are characterised by smooth operation, high productivity and versatility: we offer a comprehensive product range extending from hay loader wagons to high-capacity silage wagons. Covering all your specific farm or contracting needs.

# Loader wagons



EUROPROFI 5010 D COMBILINE

## BOSS ALPIN / EUROBOSS loader wagons with tine conveyors

The production of quality forage also has the highest priority on small farms. The extra lightweight loader wagons with tine conveyors – the BOSS ALPIN and EUROBOSS – deliver loss-free crop pick up and high loading performance with a very low power requirement.



BOSS ALPIN

	Capacity cu ft / m <sup>3</sup>	Volume cu ft / m <sup>3</sup> DIN	Chop length inch / mm	Power requirements
BOSS junior 17 T	600 / 17	406 / 11.5	4.72 / 120	15 – 44 kW / 20 – 60 hp
BOSS junior 22 T	777 / 22	503 / 14.25	4.72 / 120	15 – 44 kW / 20 – 60 hp
BOSS ALPIN 211 <b>NEW</b>	741 / 21	476 / 13.5	3.31 / 84	29 – 74 kW / 40 – 100 hp
BOSS ALPIN 251 <b>NEW</b>	883 / 25	583 / 16.5	3.31 / 84	29 – 74 kW / 40 – 100 hp
BOSS ALPIN 291 <b>NEW</b>	1023 / 29	660 / 18.7	3.31 / 84	29 – 74 kW / 40 – 100 hp

T = Low-loader



EUROBOSS 330 T

	Capacity cu ft / m <sup>3</sup>	Volume cu ft / m <sup>3</sup> DIN	Chop length inch / mm	Power requirements
EUROBOSS 250 T / H	883 / 25	569 / 16.1	1.69 / 43	44 – 81 kW / 60 – 110 hp
EUROBOSS 290 T / H	1024 / 29	660 / 18.7	1.69 / 43	44 – 81 kW / 60 – 110 hp
EUROBOSS 330 T / H	1165 / 33	752 / 21.3	1.69 / 43	44 – 81 kW / 60 – 110 hp
EUROBOSS 330 D-T / D-H	1165 / 33	724 / 20.5	1.69 / 43	44 – 81 kW / 60 – 110 hp
EUROBOSS 370 T / H	1306 / 37	844 / 23.9	1.69 / 43	44 – 81 kW / 60 – 110 hp

T = Low-loader, H = High-loader, D = Beaters



### PRIMO loader wagons with tine conveyors

The PRIMO series has been developed as a smooth running mid-range class of loader wagon with tine conveyors. Overlapping conveyor tines and up to 31 knives guarantee well-structured forage for your dairy cattle.



PRIMO 401 D

		Capacity cu ft / m <sup>3</sup>	Volume cu ft / m <sup>3</sup> DIN	Chop length inch / mm	Power requirements
PRIMO 351 L	<b>NEW</b>	1236 / 35	777 / 22	1.77 / 45	51 – 96 kW / 70 – 130 hp
PRIMO 401 L / D	<b>NEW</b>	1412 / 40	900 / 25.5	1.77 / 45	51 – 96 kW / 70 – 130 hp
PRIMO 451 L	<b>NEW</b>	1589 / 45	1006 / 28.5	1.77 / 45	51 – 96 kW / 70 – 130 hp
PRIMO 501 L	<b>NEW</b>	1765 / 50	1112 / 31.5	1.77 / 45	51 – 96 kW / 70 – 130 hp
PRIMO 701 L	<b>NEW</b>	2506 / 71	1377 / 39	5.31 / 135	51 – 96 kW / 70 – 130 hp
PRIMO 801 L	<b>NEW</b>	2824 / 80	1694 / 48	5.31 / 135	51 – 96 kW / 70 – 130 hp

L = Loader wagons, D = Beaters

### FARO / FARO COMBILINE loader wagons with rotors

With the FARO series, we meet your demand for high performance rotor technology for medium sized tractors.



FARO 5010 D

		Capacity cu ft / m <sup>3</sup>	Volume cu ft / m <sup>3</sup> DIN	Chop length inch / mm	Power requirements
FARO 3510 L / D	<b>NEW</b>	1236 / 35	847/812 / 24/23	1.77 / 45	66 – 110 kW / 90 – 150 hp
FARO 4010 L / D	<b>NEW</b>	1412 / 40	953/918 / 27/26	1.77 / 45	66 – 110 kW / 90 – 150 hp
FARO 4510 L / D	<b>NEW</b>	1589 / 45	1059/1023 / 30/29	1.77 / 45	66 – 110 kW / 90 – 150 hp
FARO 5010 L / D		1765 / 50	1165/1129 / 33/32	1.77 / 45	66 – 110 kW / 90 – 150 hp
FARO 8010 L	<b>NEW</b>	2825 / 80	1694 / 48	1.77 / 45	66 – 110 kW / 90 – 150 hp



FARO 4010 D COMBILINE

FARO 4010 L / D COMBILINE		1412 / 40	812/776 / 23/22	1.77 / 45	66 – 110 kW / 90 – 150 hp
---------------------------	--	-----------	-----------------	-----------	---------------------------

L = Loader wagons, D = Beaters

### EUROPROFI COMBILINE multipurpose loader wagons with rotors

Our EUROPROFI series has stood for easy operation, performance and convenience in harvesting for more than 20 years. To meet customers specific demands PÖTTINGER now offers the EUROPROFI 4510 L / D, 5010 L / D and 5510 L / D COMBILINE. Multipurpose, even more capacity and featuring a 1.53 inch / 39 mm short chop capability, the new EUROPROFI COMBILINE's are ready for action.



EUROPROFI 5510 D  
COMBILINE

	Capacity cu ft / m <sup>3</sup>	Volume cu ft / m <sup>3</sup> DIN	Chop length inch / mm	Power requirements
EUROPROFI 4510 L / D COMBILINE	1589 / 45	918/883 / 26/25	1.53 / 39	96 – 162 kW / 130 – 220 hp
EUROPROFI 5010 L / D COMBILINE	1765 / 50	1023/988 / 29/28	1.53 / 39	96 – 162 kW / 130 – 220 hp
EUROPROFI 5510 L / D COMBILINE	1941 / 55	1129/1094 / 32/31	1.53 / 39	96 – 162 kW / 130 – 220 hp

L = Loader wagons, D = Beaters

### TORRO COMBILINE multipurpose wagon with loading rotor

The high-performance TORRO fulfils all your needs for cost-effective silage harvesting. This range gives a high output and reliable performance for high capacity harvesting operations.



TORRO 6510 D  
COMBILINE

	Capacity cu ft / m <sup>3</sup>	Volume cu ft / m <sup>3</sup> DIN	Chop length inch / mm	Power requirements
TORRO 6010 L / D COMBILINE <b>NEW</b>	2118 / 60	31.5 / 30.5	1.34 / 34	118 – 221 kW / 160 – 300 hp
TORRO 6510 L / D COMBILINE <b>NEW</b>	2295 / 65	35 / 34	1.34 / 34	118 – 221 kW / 160 – 300 hp

L = Loader wagons, D = Beaters

### JUMBO loader wagons with rotors

Highest performance, durability and reliability are offered by PÖTTINGER's flagship wagon – the JUMBO. In the “Battle of the Systems” our professional-class silage wagon with its enormous loading capacity proved to be the most cost-effective choice for harvesting quality silage.



JUMBO 6610 L

	Capacity cu ft / m <sup>3</sup>	Volume cu ft / m <sup>3</sup> DIN	Chop length inch / mm	Power requirements
JUMBO 6610 L / D	2330 / 66	1377/1341 / 39/38	1.34 / 34	118 – 331 kW / 160 – 450 hp
JUMBO 7210 L / D	2542 / 72	1501/1465 / 42.5/41.5	1.34 / 34	118 – 331 kW / 160 – 450 hp
JUMBO 8010 L	2825 / 80	1642 / 46.5	1.34 / 34	118 – 331 kW / 160 – 450 hp
JUMBO 10010 L	3531 / 100	1748 / 49.5	1.34 / 34	118 – 331 kW / 160 – 450 hp

L = Loader wagons, D = Beaters



## JUMBO COMBILINE multipurpose loader wagons with rotors

With the combination loader wagon JUMBO combiline, we can deliver maximum flexibility and increased machine utilisation. As a highly productive silage wagon and harvest transport wagon, the JUMBO COMBILINE provides you with a true master of all trades.



JUMBO 7210 D  
COMBILINE

	Capacity cu ft / m <sup>3</sup>	Volume cu ft / m <sup>3</sup> DIN	Chop length inch / mm	Power requirements
JUMBO 6610 L / D COMBILINE	2330 / 66	1338/288 / 37.9/36.5	1.34 / 34	118 – 331 kW / 160 – 450 hp
JUMBO 7210 L / D COMBILINE	2542 / 72	1465/1415 / 41.5/40.1	1.34 / 34	118 – 331 kW / 160 – 450 hp
JUMBO 10010 L / D COMBILINE	3530 / 100	1698/1645 / 48.1/46.6	1.34 / 34	118 – 331 kW / 160 – 450 hp

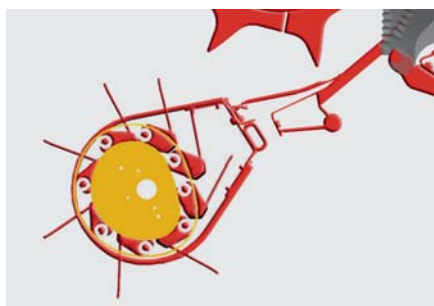
L = Loader wagons, D = Beaters



### Peter Ivan, Galanta, Slovakia

"Our JUMBO replaces three old loader wagons, which were continually breaking down and did not perform very well. The equipment specifications of this loader wagon with the AUTOCUT automatic knife sharpening system is ideal. For me, the JUMBO delivers the optimum combination of quality and performance. Our farm is perfectly equipped with high performance grassland machines, especially with the JUMBO loader wagon. It means we are independent and no longer need to rely on others."

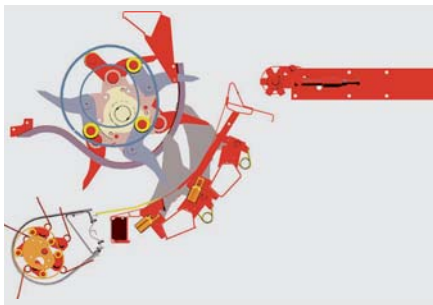
## TECHNOLOGY IN DETAIL



### Controlled pick-up

During the development of the pick-up we focussed not only on achieving the highest possible throughput, but also on clean forage and crop and ground conservation. Farmers confirm that only a controlled pick-up system manages that.

- Tines are at a swept back angle near the ground.
- Careful crop handling thanks to optimum pick-up speed.
- Maximum conveyor effect to rotor – even in difficult harvesting conditions such as in damp and short grass.
- Less soil is picked up if the ground is touched.
- Service-friendly cam track.
- Long-life lubrication and low-maintenance tine tube bearing.
- Easily accessible – remote greasing points.



### Smooth running tine conveyors

- Conveyor tines enable especially careful loading of green forage and hay.
- The split, overlapping conveyor tines are controlled by two cam tracks.
- The multi-phase cutting sequence ensures surge-free loading.



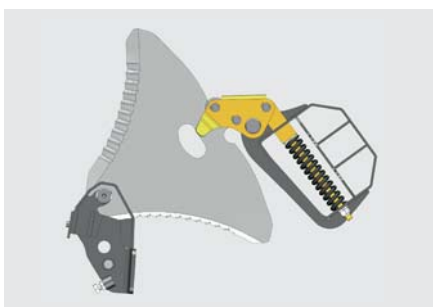
### Powerful rotors

- Perfect forage transfer from the pick up and maximum capacity even with wet and short forage.
- The refined shape of the rotor tines has been field-proven over many years.
- Smooth, efficient penetration of the crop
- The optimum gap between the knives and tines ensures smooth operation and protects the knives from foreign objects.



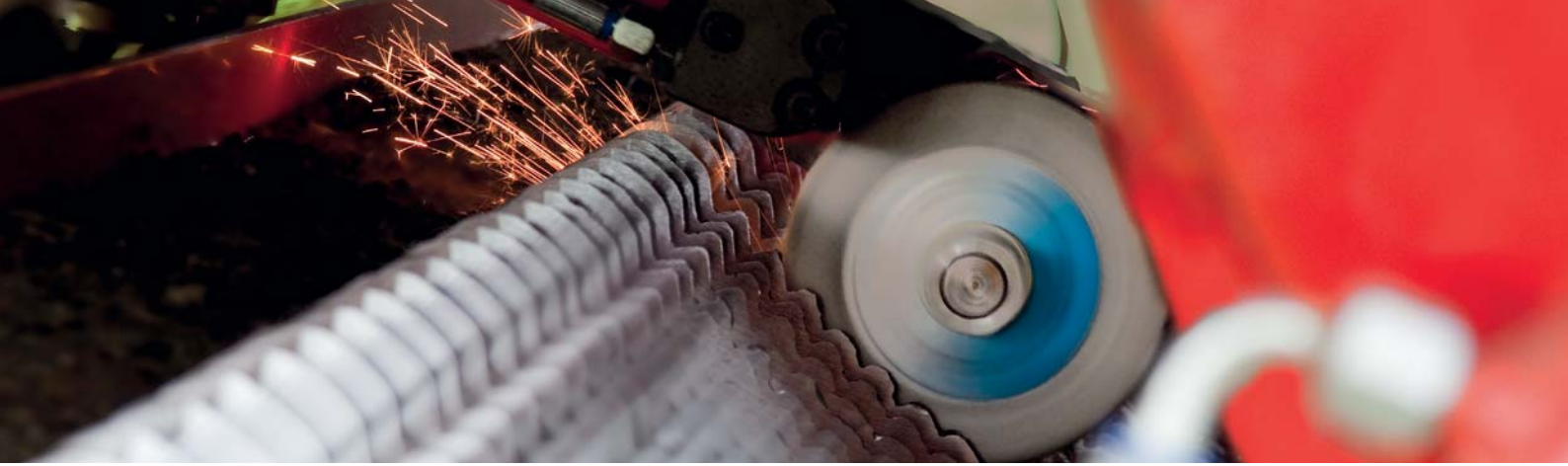
### EASY MOVE – the original

- This unique pivoting knife bank makes changing the knives a piece of cake.
- No need to even stoop when you change or clean the knives at the side of the wagon.



### POWERCUT – SHORT CUT CHOPPING SYSTEM

- Provides an unmatched level of easy knife changes: the knives are locked and released using a centralised lever system.
- Optional: patented reversible TWIN BLADE knives – double the service life



## Fully automatic knife sharpening system

### Savings

#### Consistent chop length

The crop is cut in precisely the same way again and again, and is not squashed.

#### 15% less power needed

- Saves on diesel consumption by approx. 5 litres per hour
- Increase in output
- Even better cost-effectiveness

**Net saving at 300 hours of use per year is around € 1,500**

#### Much lower maintenance requirement

- Fully automatic sharpening of the complete set of knives in around 4 minutes per cycle
- Time spent on maintenance is reduced by about 45 minutes per day

**Net saving at 300 hours of use per year is around € 1,350**

Your total cost saving:  
**up to € 3,000 per year\***

\* If the silage wagon is used on average 300 hours per year

### AUTOCUT for PÖTTINGER TORRO and JUMBO

#### Your advantages

The AUTOCUT knife sharpening system enables convenient knife sharpening directly on the loader wagon. Depending on the wear of the knives, simply select the number of sharpening cycles using the control terminal. This considerably reduces your maintenance requirements and at the same time guarantees long-lasting optimal cutting quality with lower fuel consumption and increased output.

- Knife sharpening system mounted directly on the silage wagon
- Fully automatic sharpening of the complete set of knives
- Sharpening cycle takes around 4 minutes
- Knives always sharp for best chopping quality
- 15% lower power requirement – reduces diesel consumption
- Significant reduction in maintenance



**Machine of the Year 2010**

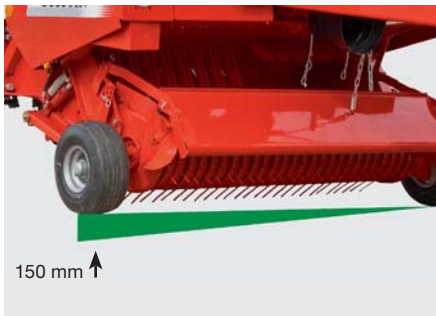


BOSS ALPIN 251

# Smooth running alpinist

## BOSS ALPIN 211 / BOSS ALPIN 251 / BOSS ALPIN 291

The new BOSS ALPIN is the lightweight amongst the loader wagons. Loss-free pick up and high loading performance with a low power requirement are the special capabilities of these loader wagons with conveyor tines. They are especially suitable for bringing in daily forage rations as well as for harvesting dry forage and straw in alpine terrain.



### Pick-up for perfect ground tracking

The pick-up is driven via a steel cam track system. The pick-up tines are controlled in a sweeping arc. This results in optimum protection of the sward, lower levels of soil contamination and prevents unnecessary wear to the tines. To ensure perfect ground tracking and cornering, the 15 x 6.0-6 jockey wheels can be adjusted to ensure they make contact with the ground on precisely the same line as the tines.

The new AUTOTAST pivoting drawbar control (optional) for optimum crop flow in alpine terrain.



### Perfect cut

- 6 knives standard, 12 knives optional
- Easy knife replacement – on low-loaders too – from inside the loading chamber
- Simply raise the cover, disengage the knife and then tilt knife back or remove
- The knives are produced from hardened tool steel and their pressed serrated edge ensures a precise chop.
- An extra thick rear edge of the knife guarantees an extended service life.

**NEW**

BOSS ALPIN 251



**Practical tailgate**

The tailgate is operated hydraulically as standard.

- The full cross-section of the wide opening enables quick unloading.
- Once unloading is finished the tailgate is closed again hydraulically and locked in place.
- The rear is in the form of a swing-to tailgate which can be secured in place for low shed clearances to prevent it from pivoting upwards.



SELECT CONTROL

DIRECT CONTROL

**Control system – the ultimate in convenience**

- Controlled using plug-in couplings on tractor as standard
- Electronic preselect control SELECT CONTROL as option
- The ultimate in convenience via DIRECT CONTROL as option

	Capacity cu ft / m³	Volume cu ft / m³ DIN	Chop length inch / mm	Power requirements
BOSS ALPIN 211	741 / 21	476 / 13.5	3.31 / 84	29 – 74 kW / 40 – 100 hp
BOSS ALPIN 251	883 / 25	583 / 16.5	3.31 / 84	29 – 74 kW / 40 – 100 hp
BOSS ALPIN 291	1023 / 29	660 / 18.7	3.31 / 84	29 – 74 kW / 40 – 100 hp



PRIMO 501 L

## Lightweight wagon with tine conveyors

### **PRIMO 351 L / PRIMO 401 L / PRIMO 451 L / PRIMO 501 L / PRIMO 701 / PRIMO 801 L**

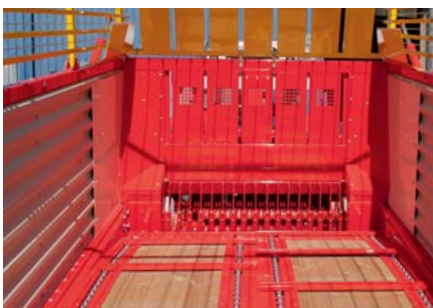
The PRIMO series has been developed as a smooth running mid-range class of loader wagon with tine conveyors. Overlapping conveyor tines and up to 31 knives guarantee well-structured forage for your dairy cattle.



#### **High power transmission**

The PRIMO is driven by a wide-angle PTO shaft. A cam-type clutch coupling protects the driveline. A 1 1/2 inch simplex high performance chain with automatic tensioner transmits power to the loading unit. The automatic chain lubrication system for the loading unit and pick-up is standard on the 8-tine version and optional on the 6-tine version.

- 6-tines. version from 51 KW (70 hp) up to 81 KW (110 hp)
- 8-tines. version from 51 KW (70 hp) up to 96 KW (130 hp)



#### **Lowered scraper floor**

The scraper floor has been lowered at the front by 5.90 inch / 150 mm to accommodate tyres with a diameter up to 620/40 R 22,5. The forage is pushed upwards as it moves to the rear. This ensures smooth, uniform unloading with a low power requirement. A strong hydraulic motor provides the drive. The floor speed is infinitely variable, for the perfect adjustment to your clamp length. The scraper floor is available with an optional two speed motor from the PRIMO 401 upwards which ensures rapid unloading and the scraper floor is equipped with four chains fitted with tempered slats which are separated and offset. The load chamber floor is constructed of pressure-impregnated, durable chains fitted with tempered slats which tongue and groove boards are bolted to the frame.



PRIMO 401 L



**Dry crop extension for PRIMO**

The hydraulic folding dry forage extension is standard on the PRIMO 351 to PRIMO 451. PÖTTINGER has solved the problem of driving through low shed entrances by offering a hydraulic folding upper section. The tailgate is also operated hydraulically as standard and can be secured in place for low height clearances. This reduces the maximum height to 8.72 ft / 2.66 m.



**Robust – yet protects the ground**

- Single axle standard on PRIMO 351
  - Suspended tandem axle with parabolic springs, 231.48 sh t / 10.5 t axle load
- Nine large parabolic springs provide the necessary suspension. The result is that you enjoy excellent handling in the field, on the road and in the clamp. The spring spacing is 43.30 inch / 1100 mm. The compensating linkage distributes the pressure exerted on the ground evenly between the two axles. When driving over rough ground, the forces are split evenly to both axles.



**Tandem axles with parabolic spring suspension (optional), 286.59 sh t/ 13 t axle load**

Parabolic springs with large spring-to-axle spacing and compensator arm prevent swaying for good stability on slopes.

	Capacity cu ft / m³	Volume cu ft / m³ DIN	Chop length inch / mm	Power requirements
PRIMO 351 L	1236 / 35	777 / 22	1.77 / 45	51 – 96 kW / 70 – 130 hp
PRIMO 401 L / D	1412 / 40	900 / 25.5	1.77 / 45	51 – 96 kW / 70 – 130 hp
PRIMO 451 L	1589 / 45	1006 / 28.5	1.77 / 45	51 – 96 kW / 70 – 130 hp
PRIMO 501 L	1765 / 50	1112 / 31.5	1.77 / 45	51 – 96 kW / 70 – 130 hp
PRIMO 701 L	2506 / 71	1377 / 39	5.31 / 135	51 – 96 kW / 70 – 130 hp
PRIMO 801 L	2824 / 80	1694 / 48	5.31 / 135	51 – 96 kW / 70 – 130 hp

L = Loader wagons, D = Beaters



FARO 5010 D

## Unbeatable rotor-type loader wagons

### FARO 3510 L / D / FARO 4010 L / D / FARO 4510 L / D / FARO 8010 L

With the new FARO L and D, PÖTTINGER offers you new models in the medium-capacity loader wagon segment ranging between 90 and 150 hp. The 31-knife knife bank and powerful rotor drive for higher capacity make this new FARO a high-performance loader wagon.



#### Best knife quality

- The knives are produced from hardened tool steel and their pressed serrated edge ensures a precise chop.
- The extra thick rear edge of the knife guarantees an extended service life.
- 31 knives for 1771 inch / 45 mm short chop.
- FARO 8010 L is fitted with a maximum of 11 knives



#### Smooth running and fuel saving

ROTOMATIC PLUS is the heart of the FARO range. Rugged and powerful, the rotor delivers high output chopping and compression. ROTOMATIC PLUS stands for smooth, efficient chopping of the crop and perfect transfer from the pick-up.

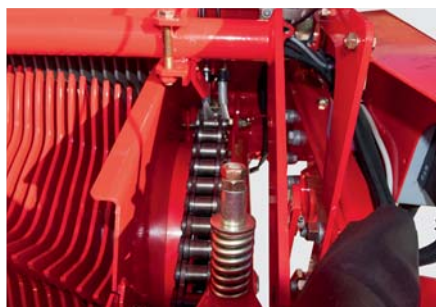
- The loading rotor has seven rows of tines arranged in a spiral with a diameter of 29.52 inch / 750 mm.
- The loading rotor is mounted on self-aligning ball bearings at both ends.
- The bearings are located on the rotor frame between the rotor and transmission to protect the bearings and drive chain.



NEW



FARO 5010 D



**17% more output**

The high performance driveline of FARO loader wagons is designed for tractors up to 150 hp. The loader wagon is driven by a wide-angle PTO shaft. The cam-type clutch protects the FARO's driveline.

- High torque protection of 1600 Nm.
- High performance power range from 90 to 150 hp.
- Loading rotor driven by 1 1/2 inch high strength simplex chain.
- Automatic chain tensioner
- Automatic chain lubrication for rotor and pick-up



**Lowered scraper floor**

The scraper floor is lowered at the front by 5.90 inch / 150 mm so that tyres up to 710/35 R 22,5 can be fitted. Powerful drive chains ensure rapid unloading ensuring the forage is conveyed upwards to the rear, leading to uniform and smooth discharge. A two-speed motor is also available.

	Capacity cu ft / m <sup>3</sup>	Volume cu ft / m <sup>3</sup> DIN	Chop length inch / mm	Power requirements
FARO 3510 L / D	1236 / 35	847/812 / 24/23	1.77 / 45	66 – 110 kW / 90 – 150 hp
FARO 4010 L / D	1412 / 40	953/918 / 27/26	1.77 / 45	66 – 110 kW / 90 – 150 hp
FARO 4510 L / D	1589 / 45	1059/1023 / 30/29	1.77 / 45	66 – 110 kW / 90 – 150 hp
FARO 8010 L	2825 / 80	1695 / 48	1.77 / 45	66 – 110 kW / 90 – 150 hp

L = Loader wagons, D = Beaters

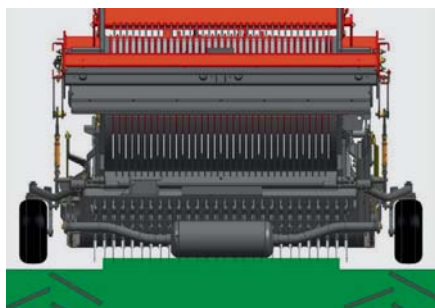


TORRO 6510 D COMBILINE

## High performance loader wagon redefined

### TORRO 6010 L / D COMBILINE / TORRO 6510 L / D COMBILINE

The new TORRO 6010 L / D COMBILINE and the TORRO 6510 L / D COMBILINE guarantee maximum flexibility and increased machinery utilization. In combination with its high performance, the TORRO COMBILINE offers excellent economy, again underlining the significance of the loader wagon as the harvesting process for the future.



#### Pick-up for best ground tracking

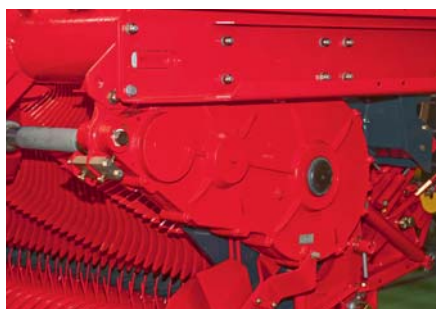
The PÖTTINGER floating pick-up is equipped with six rows of tines and cam rollers with sealed, twin deep-grooved ball bearings. The result is that crop is picked up reliably at a high throughput even at high driving speeds in difficult harvest conditions. The additional tracking roller (optional) roller is located behind the middle of the pick-up. Thanks to the unique parallelogram guide linkage, it ensures significantly improved contour sensing and perfect ground tracking. The result is clean forage with a very low raw ash content.



#### POWERMATIC PLUS loading rotor

POWERMATIC PLUS is the heart of TORRO series loader wagons. Rugged and powerful, this rotor delivers high throughput during chopping and compression. POWERMATIC PLUS stands for smooth, fuel-saving penetration of the crop and perfect transfer from the pick-up. The loading rotor has eight rows of tines arranged in a spiral and a diameter of 31.49 inch / 800 mm.

NEW



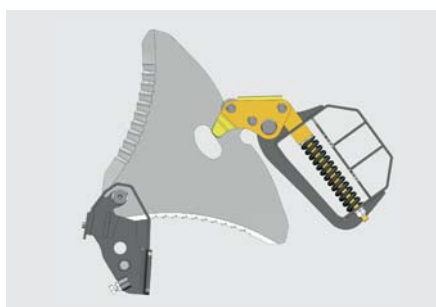
**20% more output**

Designed for tractors up to 300 hp TORRO silage wagons feature a high performance driveline. They are driven by a PTO shaft with wide-angled joints at joint and a cam-type clutch to protect the driveline. The large-dimensioned rotor transmission, which runs in grease, is completely maintenance-free. The bearing is located on the rotor support frame between the rotor and transmission to protect the bearings and gearbox. The driveline is protected to an impressive torque of 2300 Nm, corresponding to a peak performance of 221 kW / 300 hp. This represents an increase in performance of 10%. A loading torque sensor is available as option.



**POWERCUT – chopping system**

The POWERCUT chopping system with 45 knives provides a theoretical chopped length of 1.34 inch / 34 mm. The knife bank swings out of the wagon at the touch of a button. The knife bank is then simply pulled out to the side. No tools are needed to replace the knives: they are disengaged automatically by a central release mechanism. The knife retention springs and tilting levers are recessed safely out of the way. This greatly reduces the contamination of the knife holders. The chopping system can be tilted out directly from the tractor seat to clear any blockages. The TWIN BLADE knives (optional) guarantee a perfect cut over the long term.



	Capacity cu ft / m <sup>3</sup>	Volume cu ft / m <sup>3</sup> DIN	Chop length inch / mm	Power requirements
TORRO 6010 L / D COMBILINE	2118 / 60	31.5 / 30.5	1.34 / 34	118 – 221 kW / 160 – 300 hp
TORRO 6510 L / D COMBILINE	2295 / 65	35 / 34	1.34 / 34	118 – 221 kW / 160 – 300 hp

L = Loader wagons, D = Beaters

**Harvest more efficiently with MEX**  
 PÖTTINGER's MEX 5 and MEX 6 forage harvesters offer optimum technology for farmers who want to harvest their own silage maize and grass. Exemplary cutting quality guarantees excellent quality in all operating conditions.

# Flywheel forage harvester



MEX 6

## MEX – Flywheel forage harvester



MEX 5

	Mounting	Maize header ft / m	Pick-up	Blade	Weight bs / kg
Forage harvester from 96 kW / 130 hp to 162 kW / 220 hp					
MEX 5	Mounting configuration	row-independent 7.21 / 2.2	option 6.23 / 1.9	10	4740 / 2150
MEX 6	trailed	row-independent 6.56 / 2.0	option 6.23 / 1.9	10	6390 / 2900
MEX 6 grass	trailed	–	standard 6.23 / 1.9	10	5510 / 2500

## TECHNOLOGY IN DETAIL



### Proven flywheel technology

The combination of feed rollers, exact chopped length with the flywheel and corn cracker guarantees top cutting material as well as a crop full of nutrients. The corn cracker can be quickly removed for grass harvesting. The flywheel system delivers enormous blowing power to propel the crop through the chute. The knives can be adjusted centrally to achieve the best cutting gap while a tungsten carbide coating ensures a long service life. The row-less maize header enables you to harvest independently of rows or row spacing.



### Grass pick-up

The 6.23 ft / 1.9 m-wide MEX pick-up with five rows of tines delivers impressive performance – even at high forward speeds and in all harvest conditions. Only a clean crop can guarantee trouble-free fermentation for high quality silage.

NEW

# Premium wear parts

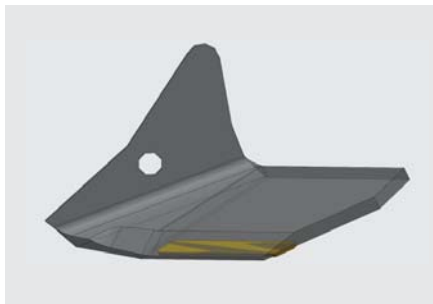
**DURASTAR**



## Durable. Reliable. High quality.

### Strong and flexible in operation

The new PÖTTINGER DURASTAR wear parts are extremely hard-wearing to ensure a longer service life. The durability of the wear parts is increased significantly. All DURASTAR wear parts are developed and manufactured by PÖTTINGER, which guarantees their quality.



Cultivator wings

### DURASTAR Premium wear parts – soil preparation

These new wear parts ensure consistent, low-wear tillage, even in stony conditions.

- DURASTAR power harrow tines
- DURASTAR cultivator points and wings
- DURASTAR mould boards



Pick-up tines

Tines for HIT

### DURASTAR Premium wear parts – grassland

These new wear parts provide the best forage quality and the longest service life.

- DURASTAR blades for NOVACAT / NOVADISC
- DURASTAR tines for HIT
- DURASTAR pick-up tines
- DURASTAR knives for JUMBO / TORRO COMBILINE



Knives for JUMBO / TORRO COMBILINE



JUMBO 6610 D



Illuminated display and back-lit keys on all terminals

### Exceptional operating convenience

Control terminals enhance your comfort as a tractor driver and support controlled and efficient operation.

With our new generation of terminals you have everything under control, even after a long day in the field. The development of these new terminals focussed on maximum operating convenience, ergonomics and automation of each working step. The result is a range of control systems, from electronic preselect controls through to fully integrated ISOBUS terminals.

### Tough and illuminated – ready to work day and night

- Heavy-duty two-component synthetic casing with rubber edge guard
- All units feature illuminated graphic display
- Raised back-lit keys for optimum visibility at night

### SELECT CONTROL / COMPASS CONTROL

We have completely revised the SELECT CONTROL pre-select control system. This robust terminal features an illuminated display and back-lit keys. The nine function keys are therefore clearly visible in the dark. You can easily pre-select all machine functions using the SELECT CONTROL terminal. These functions are then performed by the tractor's hydraulics system. No more tiresome lanyards to operate. Thanks to an intelligent operating hours counter, you can now closely monitor the time taken for each job. SELECT CONTROL supervises the status of the machine and prevents malfunctions and damage as a result.

The new on-board COMPASS CONTROL computer has been developed for VITASEM seed drills. The following functions can now be performed easily and conveniently: electronic tram-line system, calibration assistant, hectare counter and speed display.



SELECT CONTROL

COMPASS CONTROL

### SELECT CONTROL makes your job easier with:

- NOVACAT X8
- TOP 852 C S-LINE (optional)
- TOP 972 C S-LINE (optional)
- EUROBOSS
- VITASEM (COMPASS CONTROL)

TOP 1252 C S-LINE



DIRECT CONTROL

### DIRECT CONTROL

The convenient electronic DIRECT CONTROL system has been developed especially for our wide range of loader wagons. All functions can be selected directly. This means you don't need to continually swap between the loading and unloading menus. The brightness of the graphic display and illuminated keys is adjustable.

- The loading chamber lights and external floodlights can also be controlled.
- Wagon full signal with load counter
- Scraper floor switch at tailgate (optional)
- Two-speed motor directly selectable
- Steered axle directly selectable

### DIRECT CONTROL makes your job easier with:

- EUROBOSS (optional)
- PRIMO / FARO / EUROPROFI

### POWER CONTROL Wireless / POWER CONTROL

POWER CONTROL is the new standard on all ISOBUS-compatible PÖTTINGER machines. A total of 23 keys offer the highest level of convenience for operating PÖTTINGER machines. For fully flexible loader wagon operation, PÖTTINGER has extended the functions of the POWER CONTROL terminal. POWER CONTROL Wireless enables convenient operation of the loader wagon even outside the tractor cab. Now you have even more control unloading machines with cross conveyor belts, for example. The control terminal can be worn using a belt so that you have both hands free.

An extended range of up to 100 m ensures a reliable connection between the tractor, machine and control terminal.



POWER CONTROL Wireless

### POWER CONTROL makes your job easier with:

- NOVACAT X8 COLLECTOR
- NOVACAT X8 (optional)
- NOVACAT V10
- TOP 1252 C S-LINE (optional)
- TORRO COMBILINE / JUMBO / JUMBO COMBILINE
- All loader wagons with discharge beaters (without beaters – optional)
- TERRASEM (ARTIS / ARTIS PLUS)
- VITASEM, AEROSEM (with electric metering)



# POTPRO

Your machine goes online.

All the information on your machine  
**easily – anytime – anywhere**

Simply scan the QR code on the **data plate** with your smartphone or tablet or enter your machine number at [www.poettinger.at/poetpro](http://www.poettinger.at/poetpro). You will immediately receive all the information on your machine.

- Operating instructions
- Optional equipment information
- Brochures
- Photos and videos



## Original inside

**24**  
hours  
service 

- Worldwide network of sales and service partners.
- Decades of spare and wear parts availability.
- Original PÖTTINGER parts can be ordered online around the clock.

**Alois PÖTTINGER  
Maschinenfabrik GmbH**  
Industriegelände 1  
4710 Grieskirchen  
Austria  
Phone +43 7248 600-0  
Fax +43 7248 600-2511  
[info@poettinger.at](mailto:info@poettinger.at)  
[www.poettinger.at](http://www.poettinger.at)

**Alois PÖTTINGER UK Ltd.**  
15 St Marks Road, Corby  
Northamptonshire,  
NN18 8AN  
United Kingdom  
Phone +44 844 561 0644  
[info.uk@pottingeruk.co.uk](mailto:info.uk@pottingeruk.co.uk)  
[www.pottingeruk.co.uk](http://www.pottingeruk.co.uk)

**POETTINGER Canada Inc.**  
650, Route 112  
St-Cesaire, PQ J0L 1T0  
Canada  
Phone +1 450 469 5594  
Fax +1 866 417 1683  
[sales.canada@poettinger.ca](mailto:sales.canada@poettinger.ca)  
[www.poettinger.ca](http://www.poettinger.ca)

**POETTINGER US, Inc.**  
393 Pilot Drive  
Valparaiso, IN 46383  
USA  
Phone +1 219 510-5534  
Fax + 1 219 707-5412  
[sales.us@poettinger.us](mailto:sales.us@poettinger.us)  
[www.poettinger.us](http://www.poettinger.us)

**POETTINGER Australia PTY LTD**  
15 Fordson Road  
Campbellfield, VIC 3061  
Australia  
Phone +61 3 9359 2969  
[sales.au@poettinger.com.au](mailto:sales.au@poettinger.com.au)  
[www.poettinger.com.au](http://www.poettinger.com.au)

**POETTINGER Ireland Ltd.**  
Industrial Estate  
Cashel Rd., Clonmel, Co. Tipperary  
Ireland  
Phone +353 52 6125766  
[info.ie@poettinger.at](mailto:info.ie@poettinger.at)  
[www.poettinger.ie](http://www.poettinger.ie)

**Importer for New Zealand:  
Origin Agroup**  
PO Box 673, 57 Hautapu Road  
Cambridge  
New Zealand  
Phone +64 7 823 7582  
[info@originagroup.co.nz](mailto:info@originagroup.co.nz)  
[www.originagroup.co.nz](http://www.originagroup.co.nz)

**Importer for South Africa:  
VALTRAC**  
Cnr. Water & Buiten Street  
9585 Parys  
South Africa  
Phone +27 56 817 7338 7308  
[wynn@valtrac.co.za](mailto:wynn@valtrac.co.za)  
[www.valtrac.co.za](http://www.valtrac.co.za)

  
**PÖTTINGER**